

Hustler® Parts Manual



HUSTLER®
TURF EQUIPMENT

200 South Ridge Road

Hesston, Kansas

67062



NOTICE OF REQUIREMENT OF SPARK ARRESTER MUFFLER

This equipment may create sparks that can start fires around dry vegetation. California Public Resources Code Section 4442.6 provides that it is unlawful to use or operate an internal combustion engine on any forest-covered, brush-covered, or grass-covered land unless the engine is equipped with a spark arrester maintained in effective working order. A spark arrester is a device constructed of nonflammable materials specifically for the purpose of removing and retaining carbon and other flammable particles over 0.0232 of an inch in size from the exhaust flow of an internal combustion engine that uses hydrocarbon fuels or which is qualified and rated by the United States Forest Service. Other states or federal areas may have similar laws. The Operator Should Contact Local Fire Agencies For Laws or Regulations Relating to Fire Prevention Requirements. **THIS EQUIPMENT DOES NOT HAVE A SPARK ARRESTER AND YOU SHOULD CONTACT YOUR AUTHORIZED DEALER FOR THE PURCHASE OF A SPARK ARRESTER.**

Inspect spark arrester daily; replace every 500 hours or as needed.

The Engine Owner's Manual provides information regarding the U.S. Environmental Protection Agency (EPA) and the California Emission Control Regulation of emission systems, maintenance and warranty.

Keep Engine Owner's Manual with your unit. Should the Engine Owner's Manual become damaged or illegible, replace immediately. Replacements may be ordered per the information found in the Product Information section of the owner's manual.

Federal law and California State law prohibit the following acts or the causing thereof:

1. The removal or rendering inoperative by any person other than for purposes of maintenance, repair, replacement, of any device or element of design incorporated into any equipment for the purposes of emissions control prior to or after its sales or delivery to the ultimate purchaser or while it is in use, or
2. The use of the equipment after such device or element of design has been removed or rendered inoperative by any person.

| | |
|---|-------|
| General Information | 1 |
| Frame & Engine Guard | |
| Frame | 3-1 |
| Engine Guard | 3-2 |
| Hydraulic System, Drive Belt, Clutch, Steering & Brake | |
| Pump Drive, Drive Belt & Clutch | 4-1 |
| Hydraulic Components | 4-2 |
| Hydraulic Filter & Reservoir Assembly Breakdown | 4-3 |
| LS Pump Assembly Breakdown | 4-4 |
| RS Pump Assembly Breakdown | 4-5 |
| Wheel Motor Breakdown | 4-6 |
| Oil Cooler Support | 4-7 |
| Steering | 4-8 |
| Steering Assembly (Multi-Page) | 4-9 |
| LS Steering Box Assembly Breakdown | 4-10 |
| RS Steering Box Assembly Breakdown | 4-11 |
| Brake | 4-12 |
| Wheels & Tires | |
| Wheels & Tires | 5-1 |
| Front Wheel Assembly Breakdown | 5-2 |
| Drive Wheel Breakdown | 5-3 |
| Engine, Muffler & Fuel System | |
| Engine & Muffler | 6-1 |
| Engine Service Parts | 6-2 |
| Fuel System | 6-3 |
| Instrument Panel, Wire Harness & Battery | |
| Instrument Panel & Wire Harness | 7-1 |
| Battery | 7-2 |
| Deck, Deck Belts, Blades & Deck Lift | |
| Center Deck | |
| Center Service Deck | 8.1-1 |
| Center Deck Idlers, Idler Slides, Pulleys & Spindles (Multi-Page) | 8.1-2 |
| Spindle Assembly Service Parts - 607407 & 607408 | 8.1-3 |
| Center Deck Belt, Blades & Step (Multi-Page) | 8.1-4 |
| Right Side Deck | |
| Right Side Service Deck | 8.2-1 |
| Right Side Deck Pulleys & Spindles | 8.2-2 |
| Spindle Assembly Service Parts - 607407 & 607408 | 8.2-3 |
| Right Side Deck & Blades (Multi-Page) | 8.2-4 |
| Left Side Deck | |
| Left Side Service Deck | 8.3-1 |
| Left Side Deck Pulleys & Spindles | 8.3-2 |
| Spindle Assembly Service Parts - 607407 & 607408 | 8.3-3 |
| Left Side Deck & Blades (Multi-Page) | 8.3-4 |
| Center Deck to Wing Deck - Assembly, Belt & Covers (Multi-Page) | 8-4 |
| Deck Lift & Mounting Hardware (Multi-Page) | 8-5 |
| Dust Shield | 8-6 |
| Wing Lift System (Multi-Page) | 8-7 |
| Manifold Block Breakdown | 8-8 |
| Seat & ROPS | |

| | |
|-----------------------------------|-----|
| Seat & Floor Pan | 9-1 |
| Seat Service Parts - 607710 | 9-2 |
| ROPS | 9-3 |

General Information

Note: When ordering parts, you must use the part number as shown for each part, not the index number. Always give the model and serial number to your parts and service representative.

Note: Items sold in bulk such as seals and hoses are sold by the foot.

Using This Manual

This manual is part of a service package for the Hustler® mowers. Use of this manual in conjunction with other Hustler® mower and component manuals will provide the information necessary to service and maintain Hustler® mowers.

This Parts Manual provides a complete parts listing for the unit. Use this manual when ordering parts. Illustrations used were current at the time of printing, but subsequent production changes may cause your machine to vary slightly in detail. Excel Industries, Inc. reserves the right to redesign and change the machine as deemed necessary, without notification. If a change has been made to your machine which is not reflected in this parts manual, see your authorized dealer for current information and parts.

The Service Manual is a service guide for use by Service Technicians. It provides the necessary information needed to perform normal maintenance requirements on these units.

The Operator's Manual provides fundamental operational information and operational safety that is needed when operating the mower.

The component manuals are furnished by the various manufacturers to be used for the troubleshooting and servicing of their products.

Hardware Description Codes & Abbreviations

The following codes are used throughout this parts manual. Refer to this list when ordering parts.

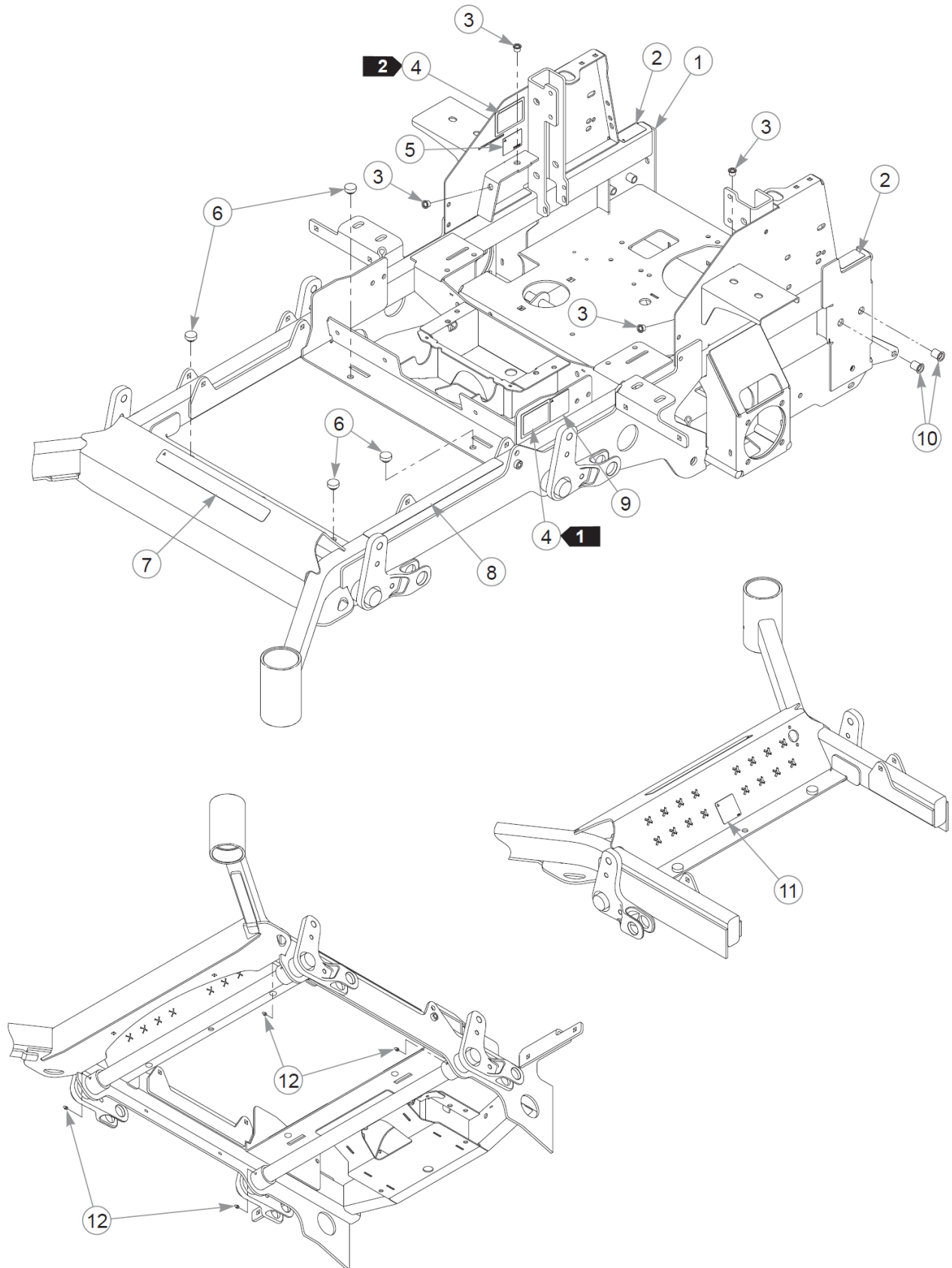
| ABBREVIATION | DESCRIPTION | ABBREVIATION | DESCRIPTION |
|--------------|---------------|--------------|------------------------|
| CB | CARRIAGE BOLT | MB | MACHINE BUSHING |
| CE | CLEVIS PIN | MS | MACHINE SCREW |
| CN | CLIP NUT | NT | NUT |
| CP | COTTER PIN | SC | SELF TAPPING CAP SCREW |
| CS | CAP SCREW | SH | SOCKET HEAD |
| CW | CUP WASHER | SB | SHOULDER BOLT |
| FDRW | FENDER WASHER | SS | SET SCREW |
| FW | FLAT WASHER | OD | OUTSIDE DIAMETER |
| HX | HEX HEAD | ID | INSIDE DIAMETER |
| LW | LOCK WASHER | WN | WELD NUT |

Standard Torques

The following chart lists the standard torque values for the threaded fasteners found in this manual. Torque all cap screws, nuts and set screws to these values unless a different torque is shown in the Notes section next to the fastener.

| SIZE | FT-LBS | N•M | SIZE | FT-LBS | N•M |
|------|--------|------|------|--------|-------|
| .250 | 8.2 | 11.1 | M3 | 1 | 1.3 |
| .312 | 17 | 23 | M4 | 2.2 | 3 |
| .375 | 30 | 40 | M5 | 4.5 | 6.1 |
| .438 | 48 | 65 | M6 | 7.7 | 10.4 |
| .500 | 73 | 99 | M8 | 18.5 | 25 |
| .562 | 105 | 143 | M10 | 37 | 50 |
| .625 | 145 | 200 | M12 | 64 | 87 |
| .750 | 260 | 350 | M14 | 80 | 108.5 |
| .875 | 420 | 565 | M16 | 160 | 215 |
| 1.00 | 625 | 850 | M20 | 320 | 435 |
| | | | M24 | 555 | 750 |

This page intentionally left blank

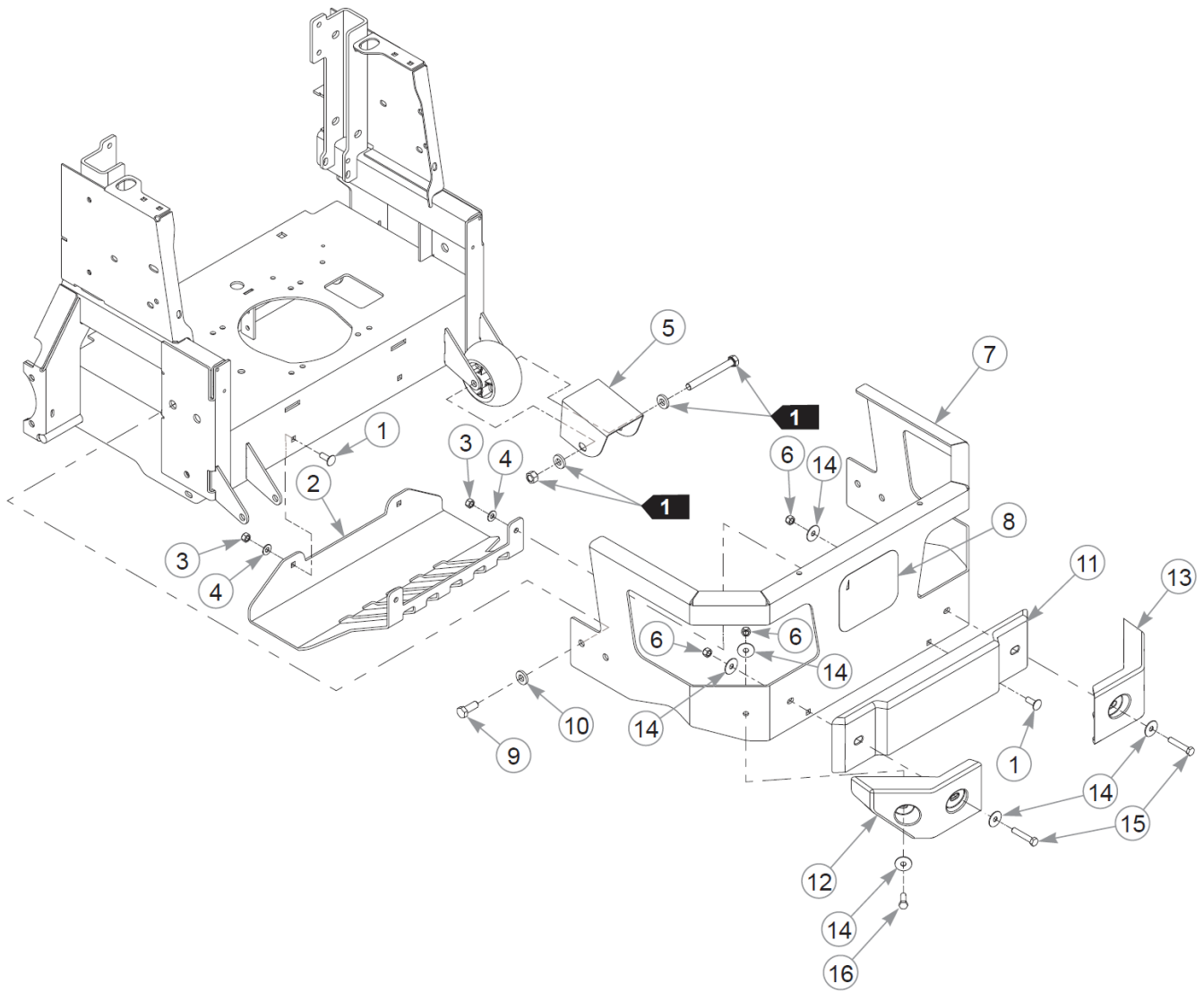


Frame

| Item | Part No. | Qty | Name |
|------|----------|-----|----------------------------|
| 1 | 555395 | 1 | SVC FRAME, CE 104 |
| 2 | 602041 | 2 | DECAL, HOT |
| 3 | 808493 | 4 | RIVET NUT, 3/8-16 THREA |
| 4 | N/A | 2 | SERIAL NUMBER / SPEC DECAL |
| 5 | 776310 | 1 | DECAL, CE MARK |
| 6 | 781880 | 4 | BUMPER, .500x 1.00x .31 |
| 7 | 602407 | 1 | DECAL, HUSTLER ID |
| 8 | 601993 | 1 | DECAL, SAFE OPERATION |
| 9 | 789776CE | 1 | DBA LIMIT DECAL |
| 10 | 600961 | 4 | RIVET NUT, 1/2-13 THREAD |
| 11 | 602562 | 1 | DECAL, NO SERVICE |
| 12 | 015495 | 4 | GREASE FITTING STRAIGHT |

Comments for Page: Frame

1. Serial number decal. In the event the serial number decal becomes damaged or illegible, please contact your dealer to order a replacement.
2. EPA compliance decal.
3. The frame includes the decals and hardware.

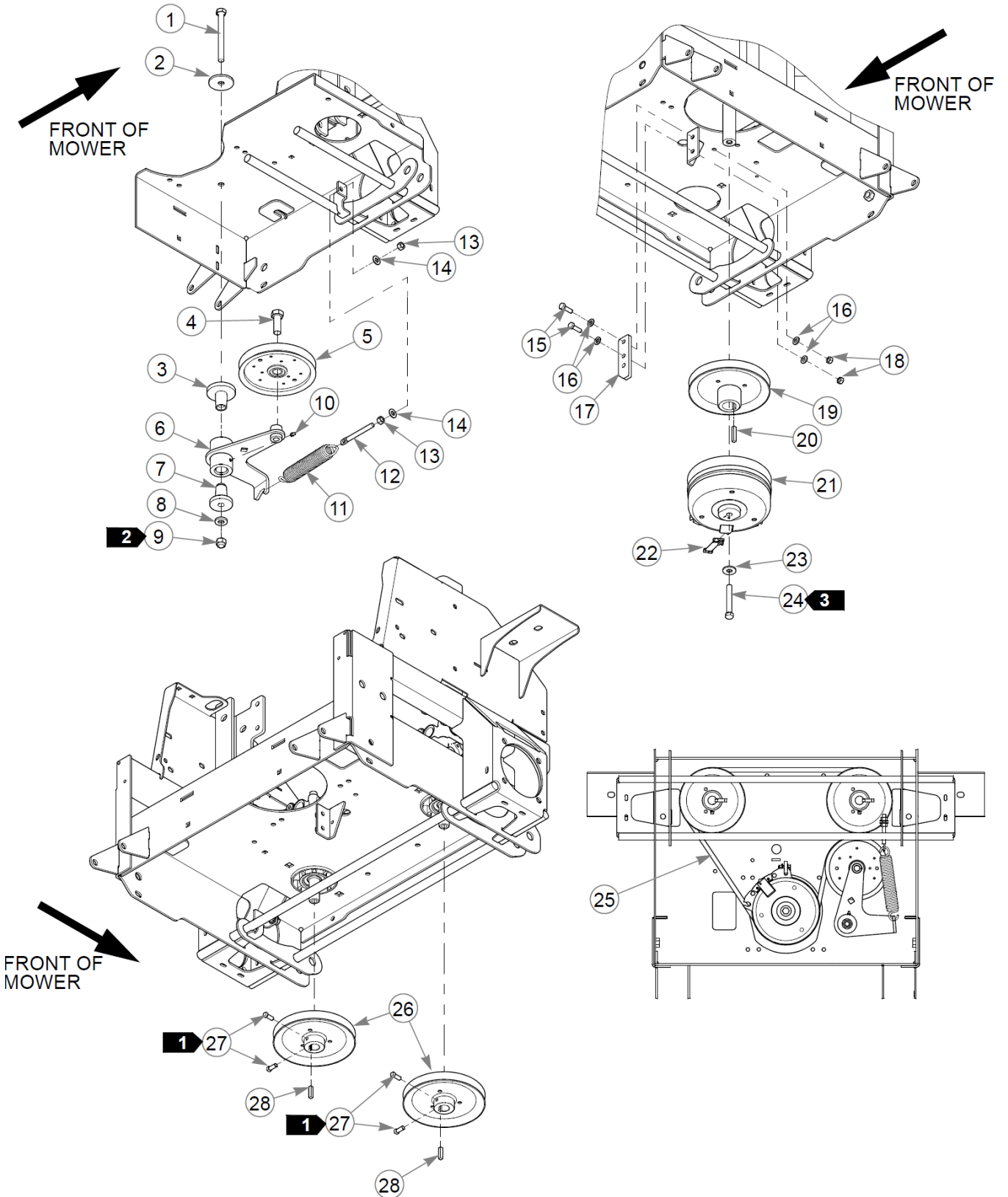


Engine Guard

| Item | Part No. | Qty | Name |
|------|----------|-----|--------------------------|
| 1 | 025395 | 4 | CB .375-16X 1.00 G5 ZN |
| 2 | 124573-3 | 1 | MUFFLER GUARD |
| 3 | 054502 | 4 | NT .375-16HXG5 |
| 4 | 767954 | 4 | FW 0.379X.82X.06 HD ZN |
| 5 | 377994 | 2 | HEAT SHIELD, MMZ ROLLER |
| 6 | 086660 | 4 | NT .375-16NLG8 |
| 7 | 554278 | 1 | SVC, BUMPER WITH DECAL |
| 8 | 606807 | 1 | DECAL, H LOGO |
| 9 | 705954 | 4 | CS .500-13X1.25 HX G5 ZN |
| 10 | 767962 | 4 | FW .531 x 1.063 x .175 |
| 11 | 606657 | 1 | PLASTIC BUMPER, CENTER |
| 12 | 606658 | 1 | PLASTIC BUMPER, LH |
| 13 | 606659 | 1 | PLASTIC BUMPER, RH |
| 14 | 705137 | 8 | FW 0.391X1.25X.06 ZN |
| 15 | 016410 | 2 | CS .375-16X2.000HXG5 |
| 16 | 005132 | 2 | CS .375-16X1.12 HX G5 Z |

Comments for Page: Engine Guard

1. Part of the Wheel & Tire Assembly.



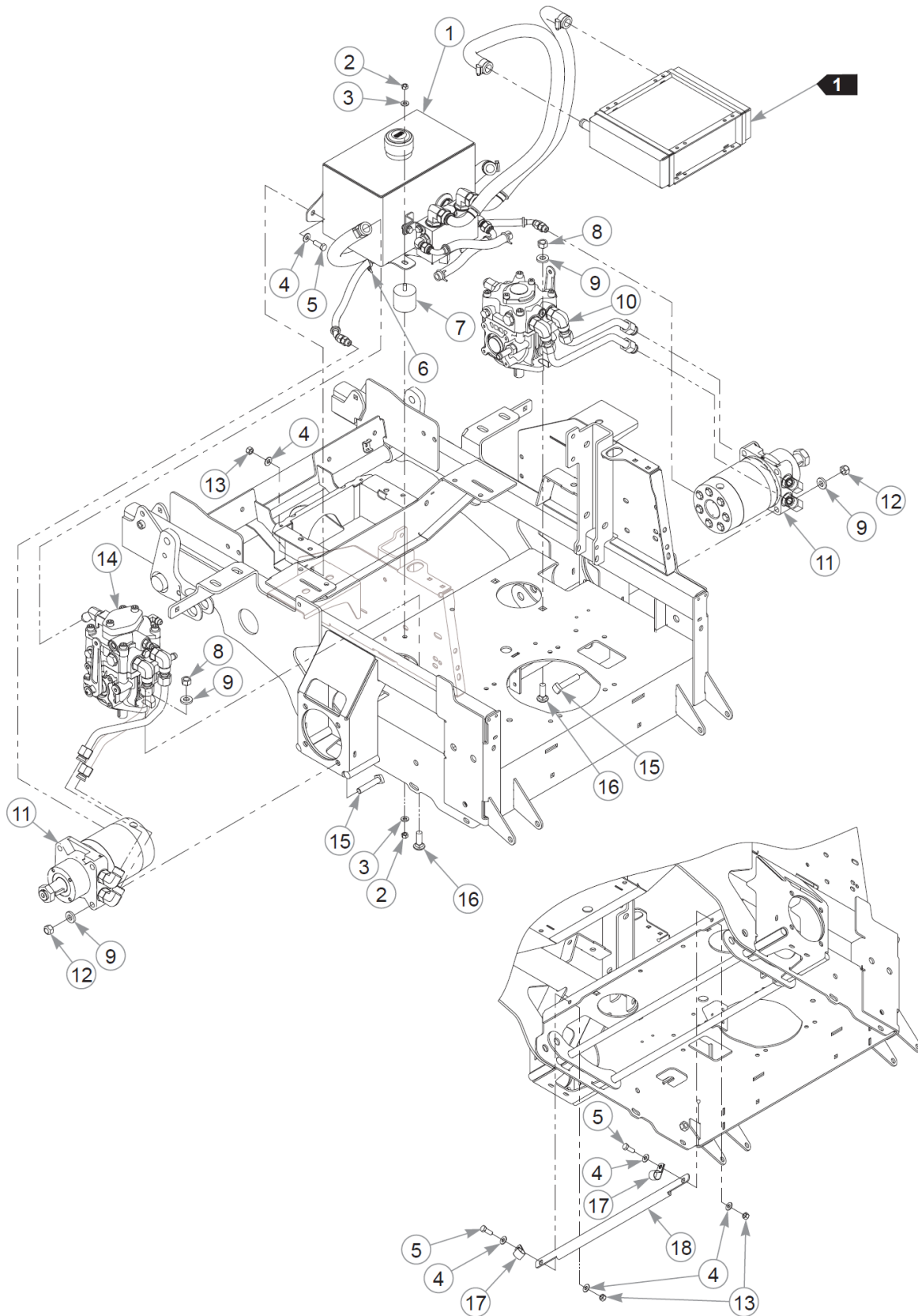
| Item | Part No. | Qty | Name |
|--|----------|-----|--------------------------|
| 1 | 051151 | 1 | CS .500-13X5.000HXG5 |
| 2 | 344267 | 1 | FW .510X2.15X.19 ZN |
| 3 | 602880 | 1 | BUSHING, IDLER PIVOT |
| 4 | 025007 | 1 | CS .62511X1.750HXG5 |
| 5 | 603783 | 1 | PULLEY, 6" FLAT IDLER |
| 6 | 115536 | 1 | TENSIONER |
| 7 | 602879 | 1 | BUSHING, IDLER PIVOT |
| 8 | 767962 | 1 | FW .531 x 1.063 x .175 |
| 9 | 781567 | 1 | NT .500-13NLG5 |
| 10 | 015495 | 1 | GREASE FITTING STRAIGHT |
| 11 | 601016 | 1 | IDLER SPRING |
| 12 | 601486 | 1 | EB, .375-16X3.00 FULTHD |
| 13 | 054502 | 2 | NT .375-16HXG5 |
| 14 | 767954 | 2 | FW 0.379X.82X.06 HD ZN |
| 15 | 036236 | 2 | CS .312-18X1.000HXG5 |
| 16 | 768523 | 4 | FW 0.343SAE |
| 17 | 113347 | 1 | CLUTCH ANCHOR |
| 18 | 034272 | 2 | NT .312-18HXG5 |
| 19 | 602755 | 1 | PULLEY 7.35 OPx1.125SHFT |
| 20 | 212076 | 1 | KEY 1/4 SQ X 1.50 LG(FS) |
| 21 | 606936K | 1 | CLUTCH KIT, CMS250 |
| 22 | 791251 | 1 | HARNES, CLUTCH PIGTAIL |
| <p>Comments for Part Num. 791251</p> <p>Pigtail was updated with epoxy to hold the wires steady. The wire sheath was also updated to a more flexible material.</p> | | | |
| 23 | 602680 | 1 | FW .453X1.12X.12 HRD ZN |
| 24 | 785048 | 1 | CS .437-20X3.00 HXG5 P85 |
| 25 | 603904 | 1 | DRIVE BELT |
| 26 | 602754 | 2 | PULLEY 7.35 OPx0.875SHFT |
| 27 | 083196 | 4 | SS .312-18X0.750SQ |
| 28 | 210146 | 2 | KEY 1/4 SQ X 1.12 LONG |

Comments for Page: Pump Drive, Drive Belt & Clutch

1. Torque to 16–20 N•m.
2. Torque to 96–102 N•m. The tensioner should pivot freely.

3. Torque to 61–65 N•m. Replace (do not reuse) the cap screw if it is removed or loosened.. Use only hand tools to install this fastener.

This page intentionally left blank



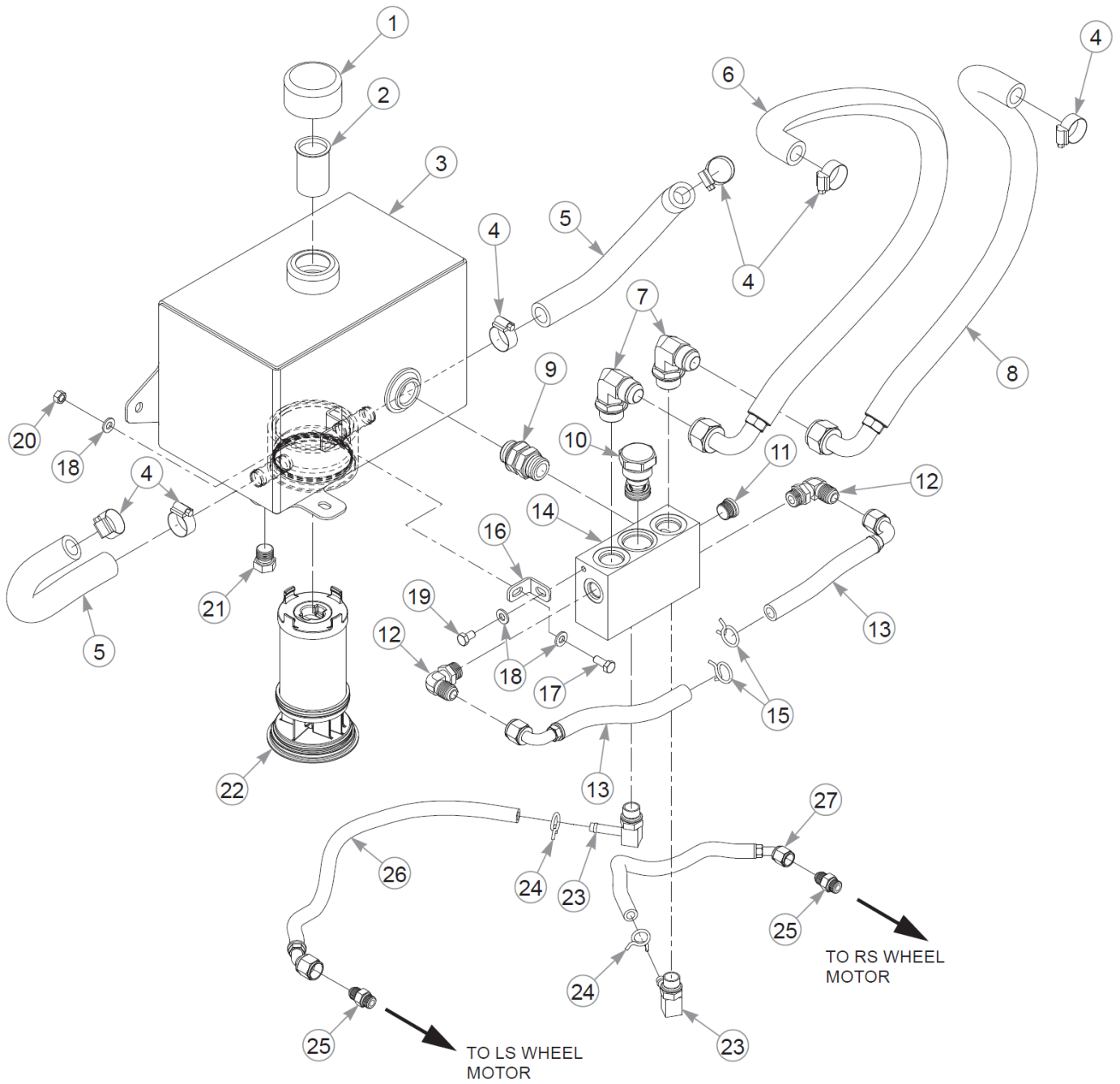
Hydraulic Components

| Item | Part No. | Qty | Name |
|------|----------|-----|---|
| 1 | | 1 | REFER TO "HYDRAULIC RESERVOIR ASSEMBLY BREAKDOWN" |
| 2 | 034272 | 2 | NT .312-18HXG5 |
| 3 | 768523 | 2 | FW 0.343SAE |
| 4 | 767954 | 8 | FW 0.379X.82X.06 HD ZN |
| 5 | 036244 | 4 | CS .375-16X1.00 HX G5 ZN |
| 6 | 000331 | 1 | WIRE TIE, SMALL/SHORT |
| 7 | 604320 | 1 | VIBRATION MOUNT |
| 8 | 008193 | 4 | NT .500-13HXG5 |
| 9 | 767962 | 12 | FW .531 x 1.063 x .175 |
| 10 | | 1 | REFER TO "RS PUMP ASSEMBLY BREAKDOWN" |
| 11 | | 2 | REFER TO "WHEEL MOTOR BREAKDOWN" |
| 12 | 023317 | 8 | NT .500-13UNTG8 |
| 13 | 054502 | 4 | NT .375-16HXG5 |
| 14 | | 1 | REFER TO "LS PUMP ASSEMBLY BREAKDOWN" |
| 15 | 602256 | 8 | CS .500-13X2.500 SQ G5 |
| 16 | 028274 | 4 | CB .500-13X 1.500 FULL |
| 17 | 043570 | 2 | CLIP - HOSE - SINGLE(FS) |
| 18 | 119384 | 1 | BELT GUIDE |

Comments for Page: Hydraulic Components

1. Part of the Oil Cooler Support Assembly.

Hydraulic Filter & Reservoir Assembly Breakdown

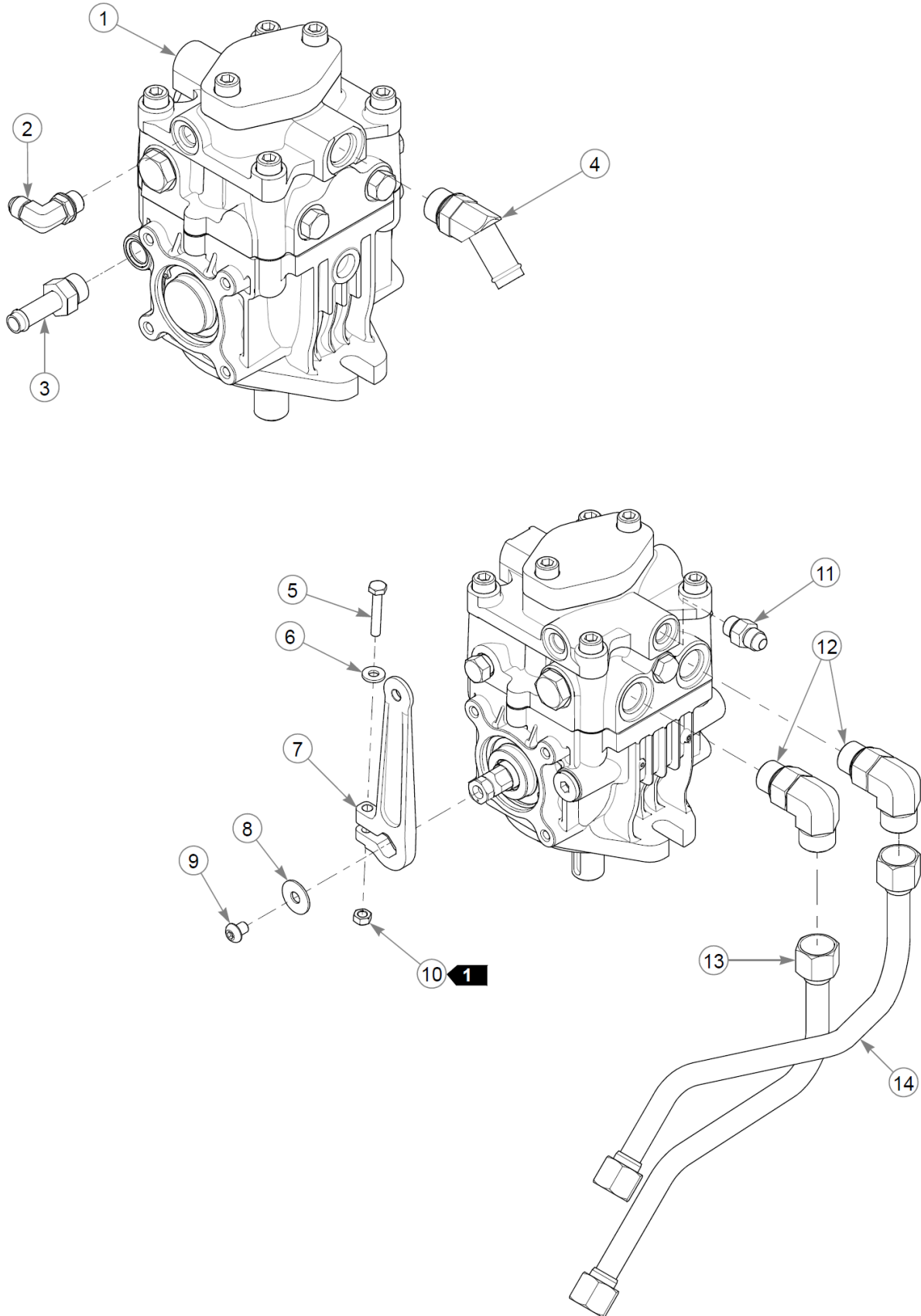


Hydraulic Filter & Reservoir Assembly Breakdown

Super 104 Parts Manual - 939652CE - HTSWSR104KAWFX1000VC

| Item | Part No. | Qty | Name |
|------|----------|-----|--------------------------|
| 1 | 032763 | 1 | CAP, BREATHER |
| 2 | 032771 | 1 | STRAINER |
| 3 | 606173 | 1 | RESERVOIR, HYDRAULIC |
| 4 | 700484 | 6 | CLAMP, HOSE (FS) |
| 5 | 603045 | 2 | HOSE, PUMP SUCTION |
| 6 | 603046 | 1 | HOSE, TO COOLER |
| 7 | 603189 | 2 | FTG,-12MORB/-12MJIC 90° |
| 8 | 603047 | 1 | HOSE, FROM COOLER |
| 9 | 603039 | 1 | FTG, -12MORB/-12MORB STR |
| 10 | 603053 | 1 | CHECK VALVE |
| 11 | 603123 | 1 | FTG,-8MORB HEX PLUG |
| 12 | 771311 | 2 | FTG, -8MORB/-8MJIC, 90° |
| 13 | 603042 | 2 | HOSE, PUMP CASE DRAIN |
| 14 | 603000 | 1 | MANIFOLD, CASE DRAIN |
| 15 | 601001 | 2 | SPRING CLAMP, .75" DIA |
| 16 | 113623 | 1 | SUPPORT BRACKET |
| 17 | 034280 | 1 | CS .312-18X0.750HXG5 |
| 18 | 768523 | 3 | FW 0.343SAE |
| 19 | 068346 | 1 | CS .312-18X0.500HXG5 |
| 20 | 034272 | 1 | NT .312-18HXG5 |
| 21 | 781658 | 1 | FTG, -8MORB/HEX PLUG |
| 22 | 602768X | 1 | HYDRAULIC OIL FILTER |
| 23 | 603190 | 2 | FTG,-8MORB/-6BT 90° |
| 24 | 601617 | 2 | SPRING CLAMP, 5/8" DIA. |
| 25 | 779132 | 2 | FTG, -6MORB/-6MJIC STR |
| 26 | 603043 | 1 | HOSE, L MOTOR CASE DRAIN |
| 27 | 603044 | 1 | HOSE, R MOTOR CASE DRAIN |

LS Pump Assembly Breakdown



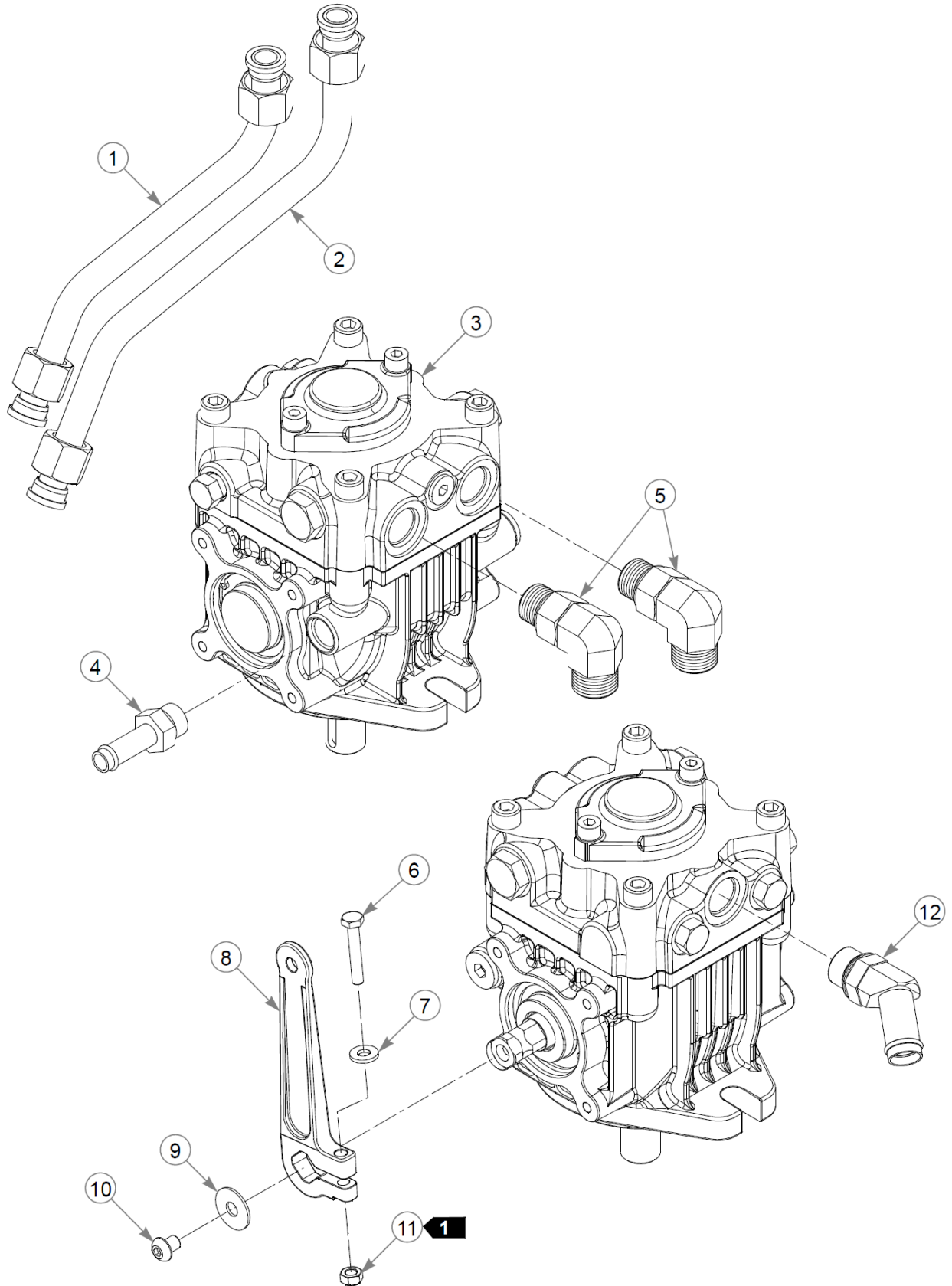
LS Pump Assembly Breakdown

| Item | Part No. | Qty | Name |
|---|----------|-----|--------------------------|
| 1 | 603895 | 1 | PUMP, DDC20 W/ IMP - HH |
| <p>Comments for Part Num. 603895</p> <p>***IMPORTANT*** To receive warranty coverage, when replacing 603895 (LS PUMP) it is required that 122756 FILTER FLUSH KIT be used during replacement.</p> | | | |
| 2 | 795922 | 1 | FTG, 90-6MORB/-6MJI |
| 3 | 601523 | 1 | FTG, -8MORB/-8BT STR |
| 4 | 774968 | 1 | FTG, -10MORB/-12BT 45° |
| 5 | 008581 | 1 | CS .250-20X1.500HXG5 |
| 6 | 768515 | 1 | FW 0.281SAE |
| 7 | 602732 | 1 | PUMP ARM , SUPER Z |
| 8 | 079210 | 1 | FW 0.344X1.0X0.06 ZN |
| 9 | 603272 | 1 | CS M8-1.25x10 G10.9 SHBH |
| 10 | 068551 | 1 | NT .250-20 HXZY NL |
| 11 | 779132 | 1 | FTG, -6MORB/-6MJIC STR |
| 12 | 602443 | 2 | FTG,-10MORB/-10MORFS 90° |
| 13 | 602873 | 1 | TUBE, LP-BM LH LOOP |
| 14 | 602874 | 1 | TUBE, RP-TM LH LOOP |

Comments for Page: LS Pump Assembly Breakdown

1. Torque to 11 N•m.

RS Pump Assembly Breakdown

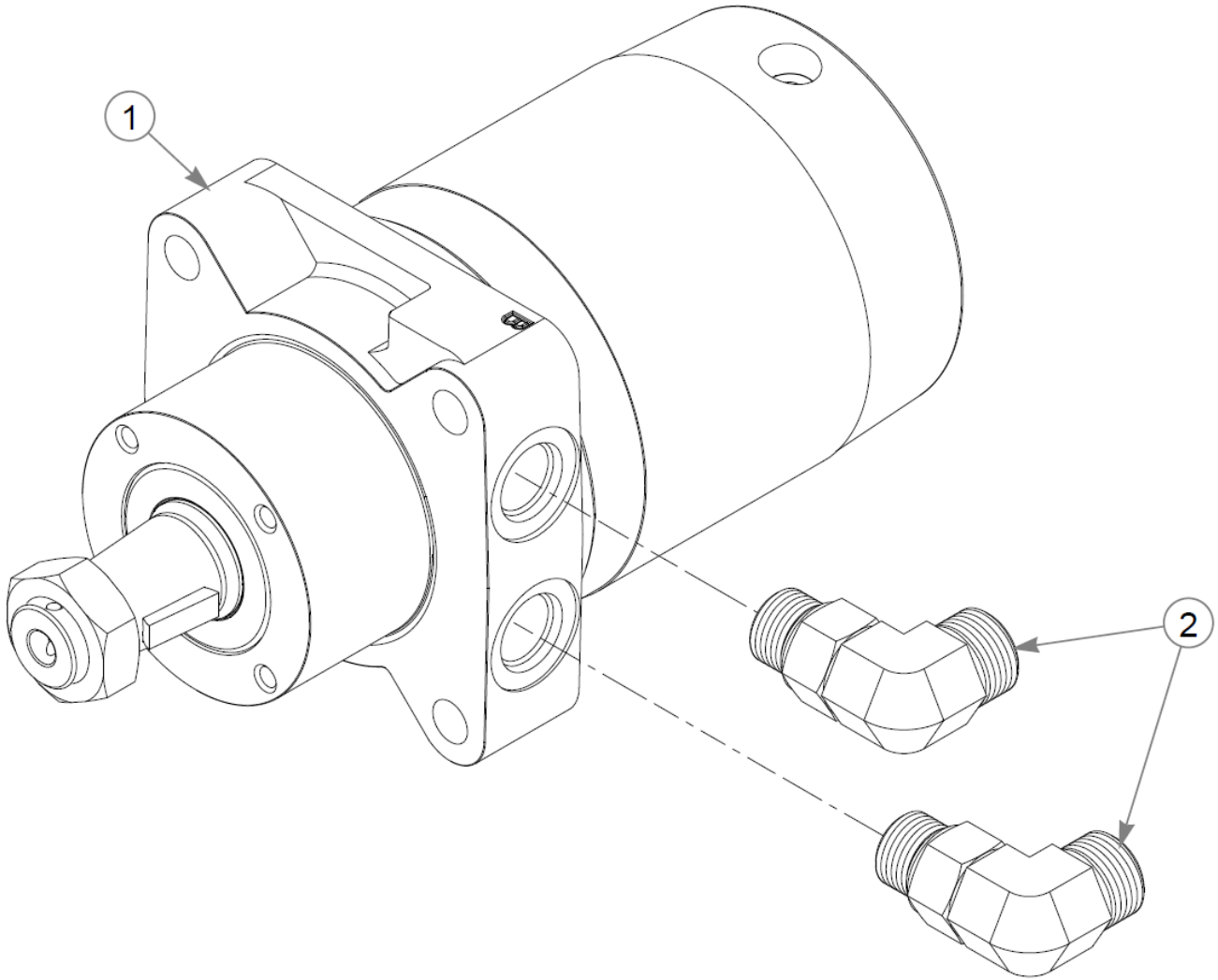


RS Pump Assembly Breakdown

| Item | Part No. | Qty | Name |
|------|----------|-----|--------------------------|
| 1 | 602876 | 1 | TUBE, RP-TM RH LOOP |
| 2 | 602875 | 1 | TUBE, LP-BM RH LOOP |
| 3 | 602964 | 1 | PUMP, DANFOSS DDC20 - HH |
| 4 | 601523 | 1 | FTG, -8MORB/-8BT STR |
| 5 | 602443 | 2 | FTG,-10MORB/-10MORFS 90° |
| 6 | 008581 | 1 | CS .250-20X1.500HXG5 |
| 7 | 768515 | 1 | FW 0.281SAE |
| 8 | 602732 | 1 | PUMP ARM , SUPER Z |
| 9 | 079210 | 1 | FW 0.344X1.0X0.06 ZN |
| 10 | 603272 | 1 | CS M8-1.25x10 G10.9 SHBH |
| 11 | 068551 | 1 | NT .250-20 HXZY NL |
| 12 | 774968 | 1 | FTG, -10MORB/-12BT 45° |
| 13 | 603362 | 1 | SEAL KIT, DANFOSS DDC20 |

Comments for Page: RS Pump Assembly Breakdown

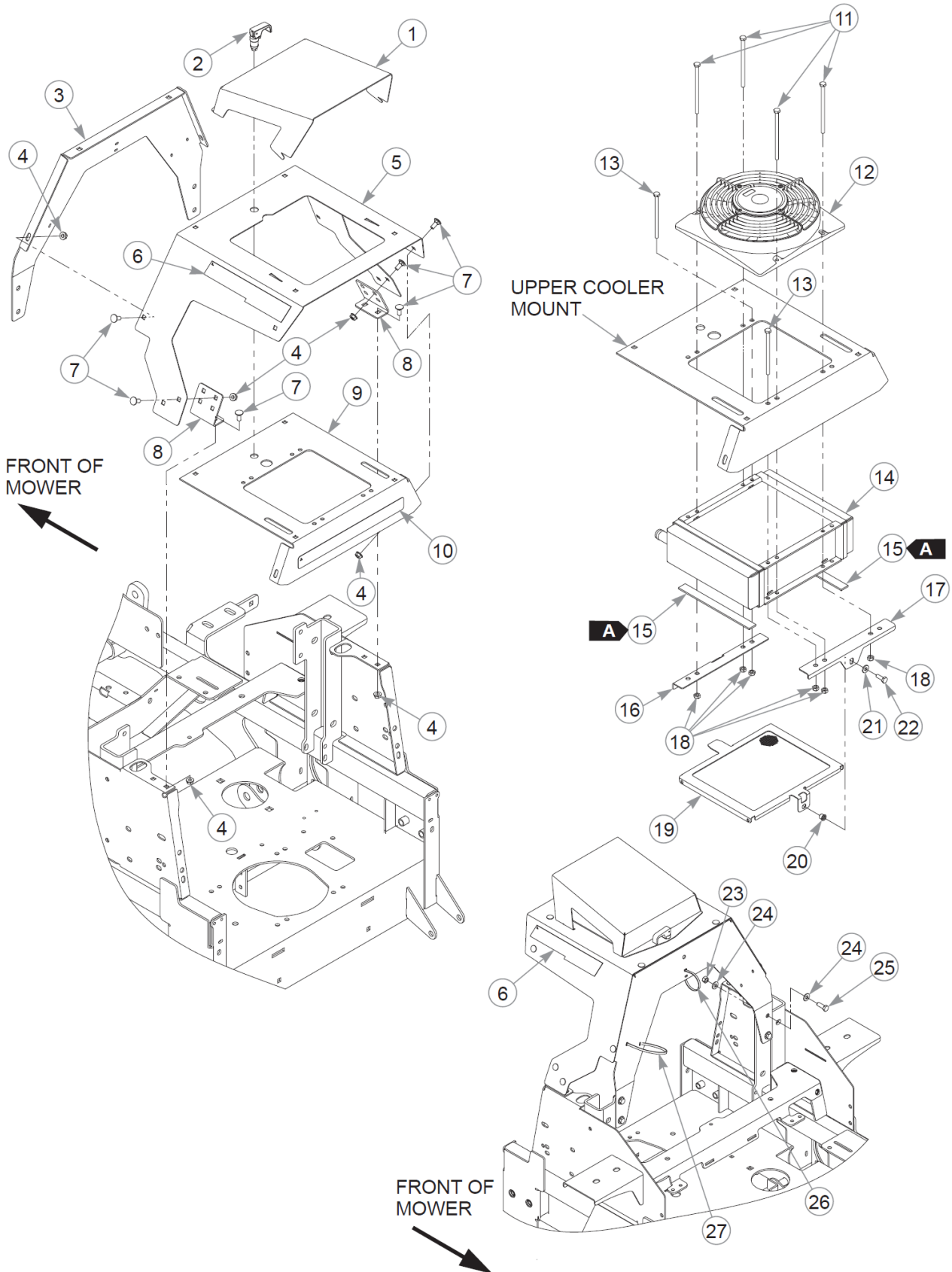
1. Torque to 11 N•m.



Wheel Motor Breakdown

| Item | Part No. | Qty | Name |
|-------------|-----------------|------------|--------------------------|
| 1 | 603898 | 1 | MOTOR, TG0360 - HH |
| 2 | 602443 | 2 | FTG,-10MORB/-10MORFS 90° |

Oil Cooler Support



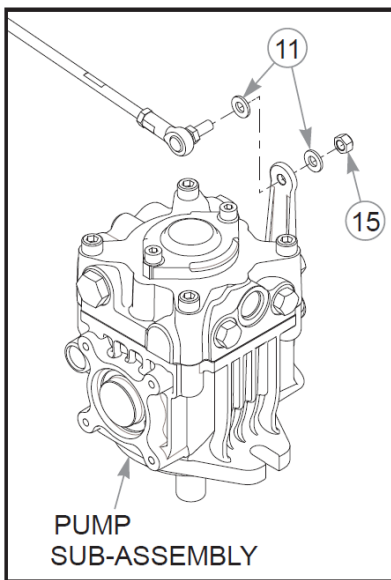
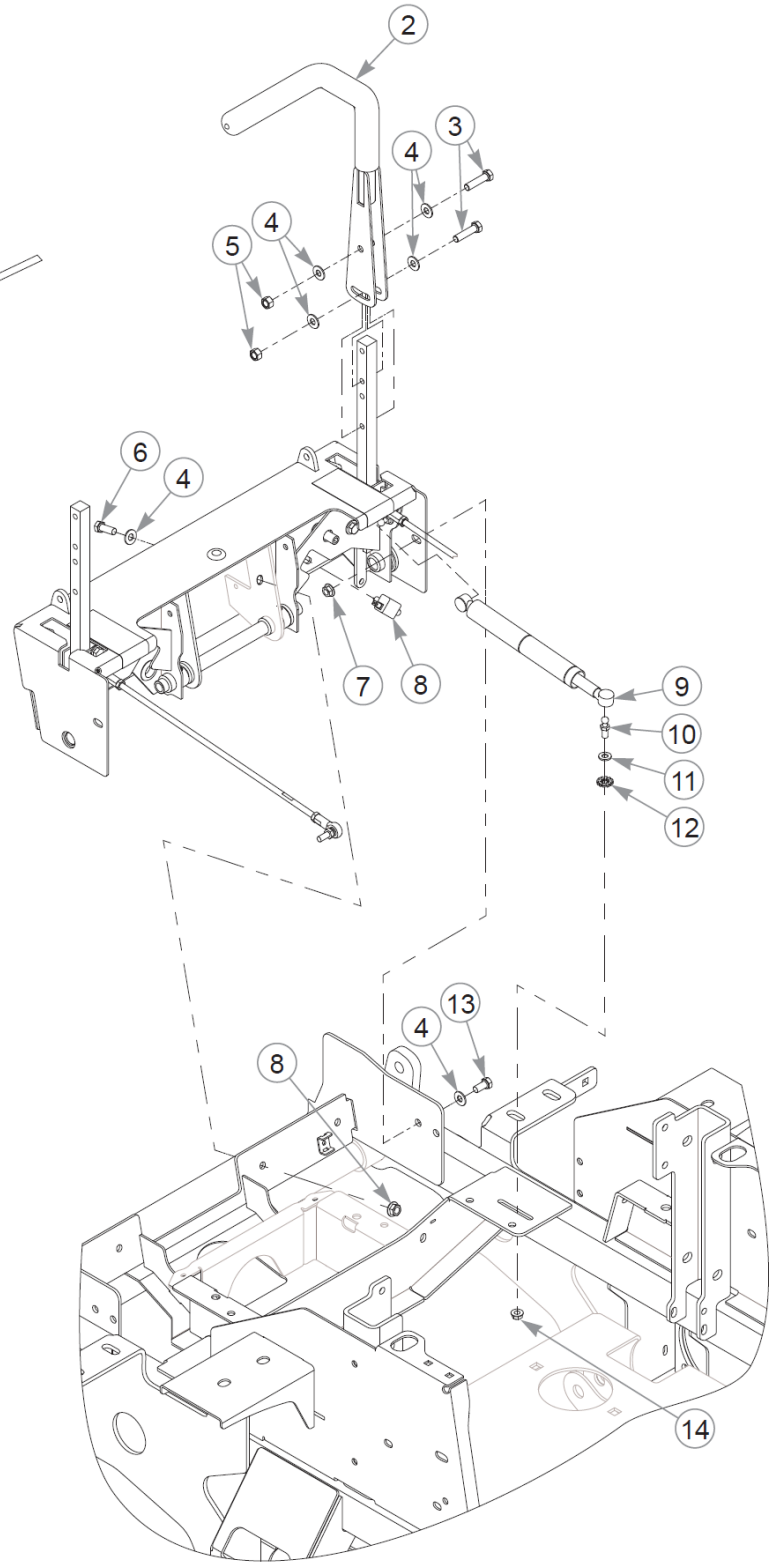
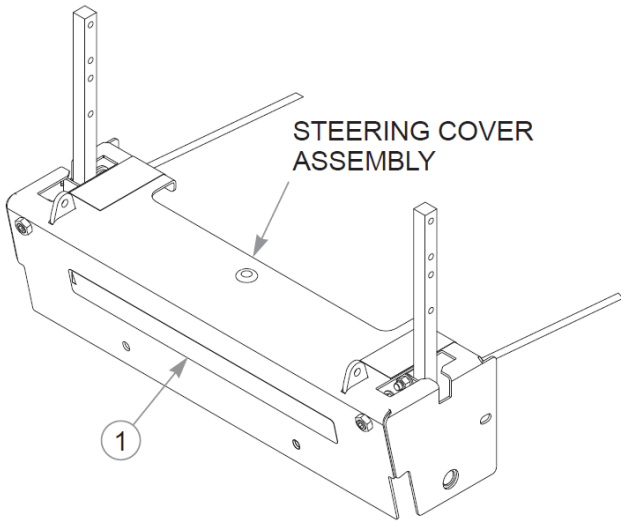
| Item | Part No. | Qty | Name |
|------|----------|-------|--------------------------|
| 1 | 124302-1 | 1 | AIR SCOOP, OIL COOLER |
| 2 | 791384 | 1 | LATCH, HEAVY DUTY SWELL |
| 3 | 125826-1 | 1 | OIL COOLER MOUNT |
| 4 | 016832 | 16 | NT .312-18FLKG5 |
| 5 | 554388 | 1 | SVC, OIL COOLER COVER |
| 6 | 606909 | 2 | DECAL, HYPERDRIVE |
| 7 | 016253 | 16 | CB .312-18X .750 FUL ZN |
| 8 | 117725 | 2 | BRACKET, COOLER MOUNT |
| 9 | 554389 | 1 | SVC, COOLER MOUNT |
| 10 | 602407 | 1 | DECAL, HUSTLER ID |
| 11 | 603229 | 4 | CS .250-20X4.500 HX G5 |
| 12 | 603066 | 1 | FAN, 9" 12V |
| 13 | 603228 | 2 | CS .250-20X4.000 HX G5 |
| 14 | 602709 | 1 | OIL COOLER, HYD 8" FAN |
| 15 | 033035 | 40 cm | WEATHERSTRIP .12X.75 |
| 16 | 124390-1 | 1 | BRACKET, SCRNM MNT FNT |
| 17 | 124389-1 | 1 | BRACKET, SCRNM MNT RR |
| 18 | 068551 | 6 | NT .250-20 HXZY NL |
| 19 | 114165 | 1 | SCREEN ASSY SZ COOLER |
| 20 | 808477 | 1 | RIVET NUT, 1/4-20 THREA |
| 21 | 768515 | 1 | FW 0.281SAE |
| 22 | 055939 | 1 | CS .250-20X0.75 HX G5 ZN |
| 23 | 054502 | 4 | NT .375-16HXG5 |
| 24 | 767954 | 8 | FW 0.379X.82X.06 HD ZN |
| 25 | 036244 | 4 | CS .375-16X1.00 HX G5 ZN |
| 26 | 000331 | 1 | WIRE TIE, SMALL/SHORT |
| 27 | 000430 | 2 | WIRE TIE, SMALL/LONG |

Comments for Page: Oil Cooler Support

1. The oil cooler cover and upper cooler mount include decals.

WEATHERSTRIP LENGTH

A: 20 cm

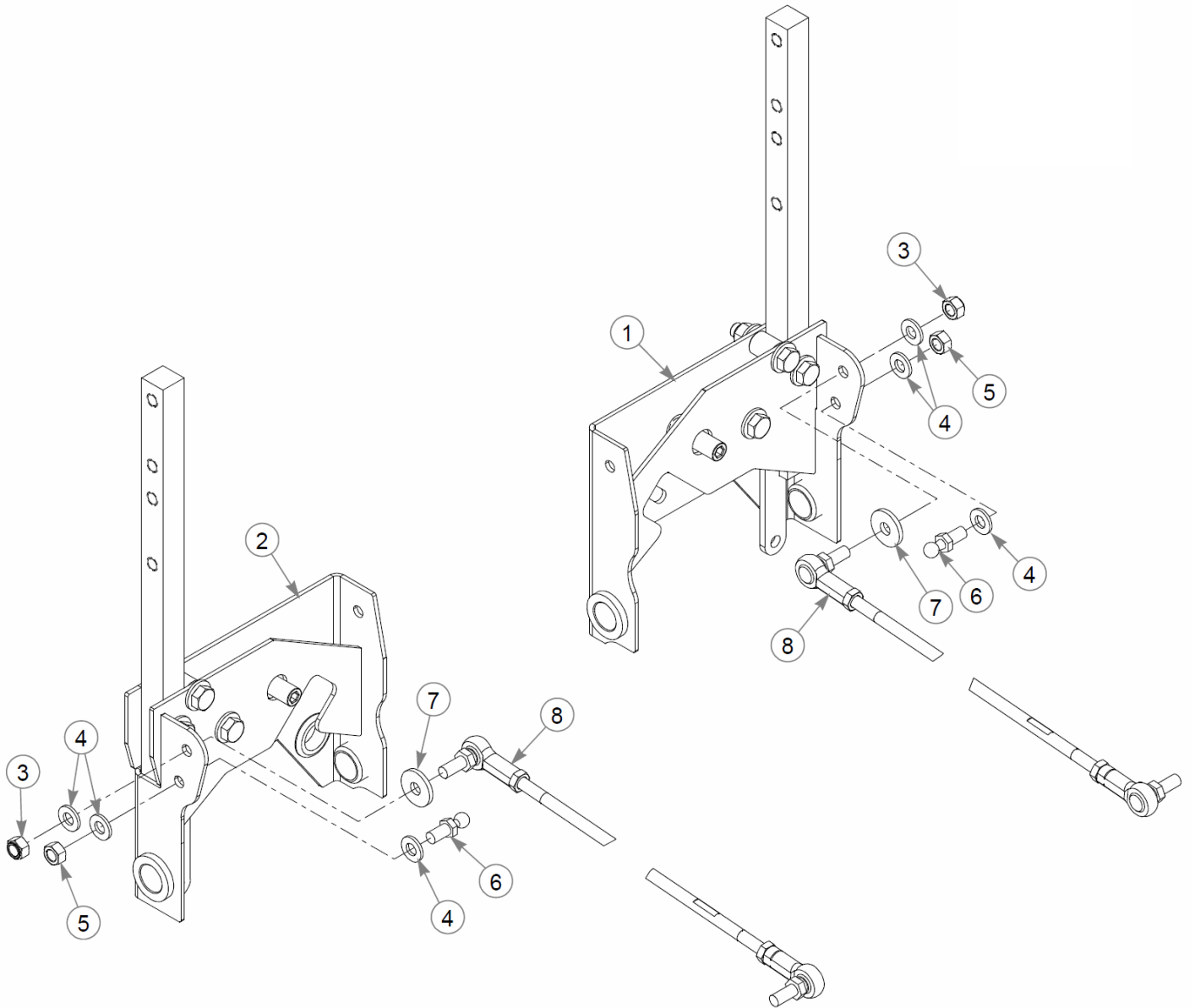


Steering

| Item | Part No. | Qty | Name |
|-----------|----------|-----|--------------------------|
| 1 | 605672 | 1 | DECAL, SUPER 104 ID |
| 2 | 604339 | 2 | W/A, STEERING ARM |
| Not Shown | 781260 | 2 | GRIP, STEERING BAR |
| 3 | 604365 | 4 | CS .375-12X1.50 HX G5 ZN |
| 4 | 767954 | 14 | FW 0.379X.82X.06 HD ZN |
| 5 | 054502 | 6 | NT .375-16HXG5 |
| 6 | 036244 | 2 | CS .375-16X1.00 HX G5 ZN |
| 7 | 016899 | 2 | NT .375-16 FLKG5 |
| 8 | 601087 | 2 | SWITCH, PLUNGER N.O. |
| 9 | 603192 | 2 | DAMPER, STEERING |
| 10 | 781922 | 2 | BALL STUD |
| 11 | 768523 | 6 | FW 0.343SAE |
| 12 | 029876 | 2 | LW .312 INTEXT ZN |
| 13 | 055822 | 2 | CS .375-16X0.75 HX G5 ZN |
| 14 | 016832 | 2 | NT .312-18FLKG5 |
| 15 | 023655 | 2 | NT 0.312-24 NL G8 |

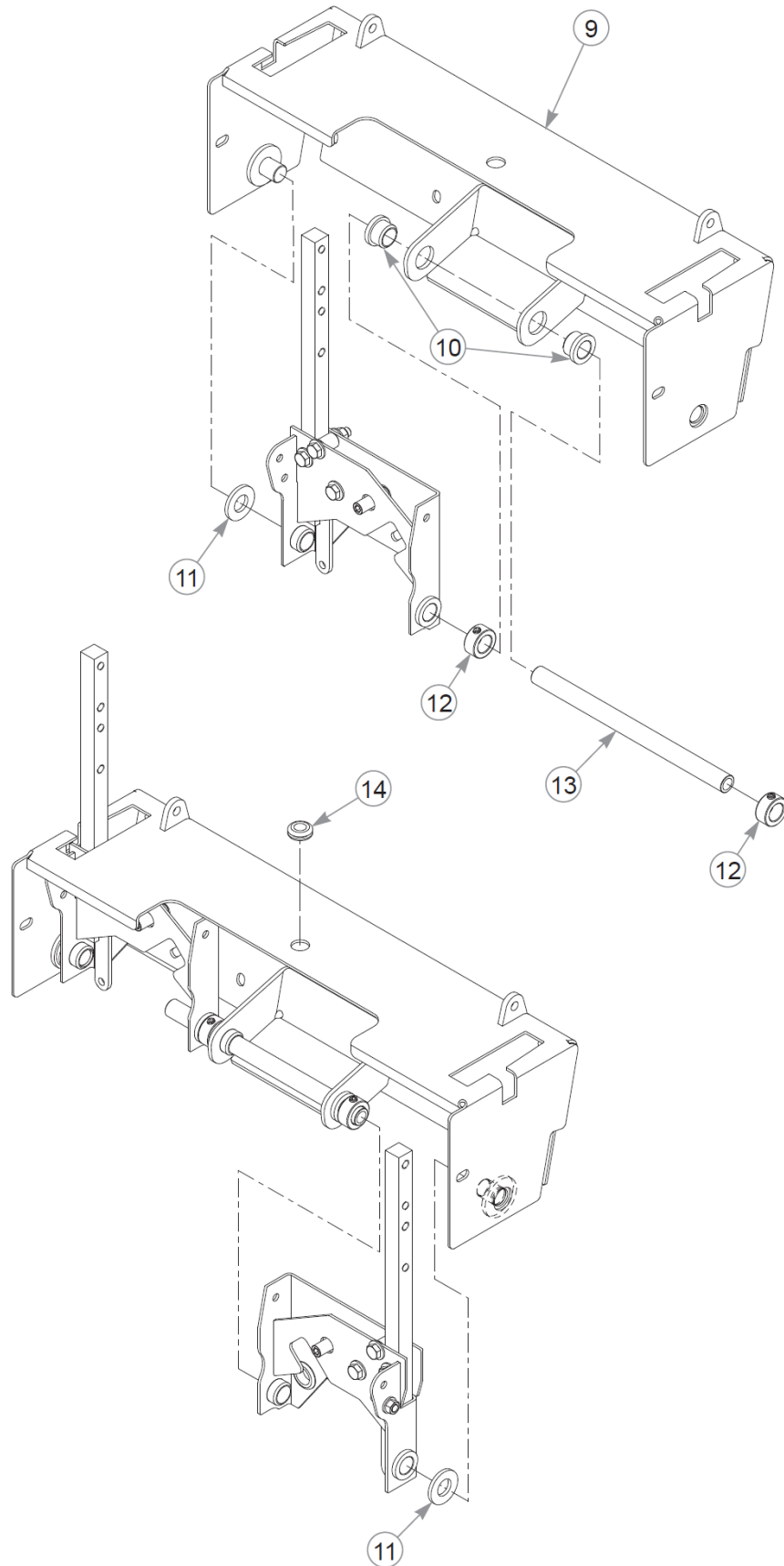
Comments for Page: Steering

1. The steering handle includes the grip.

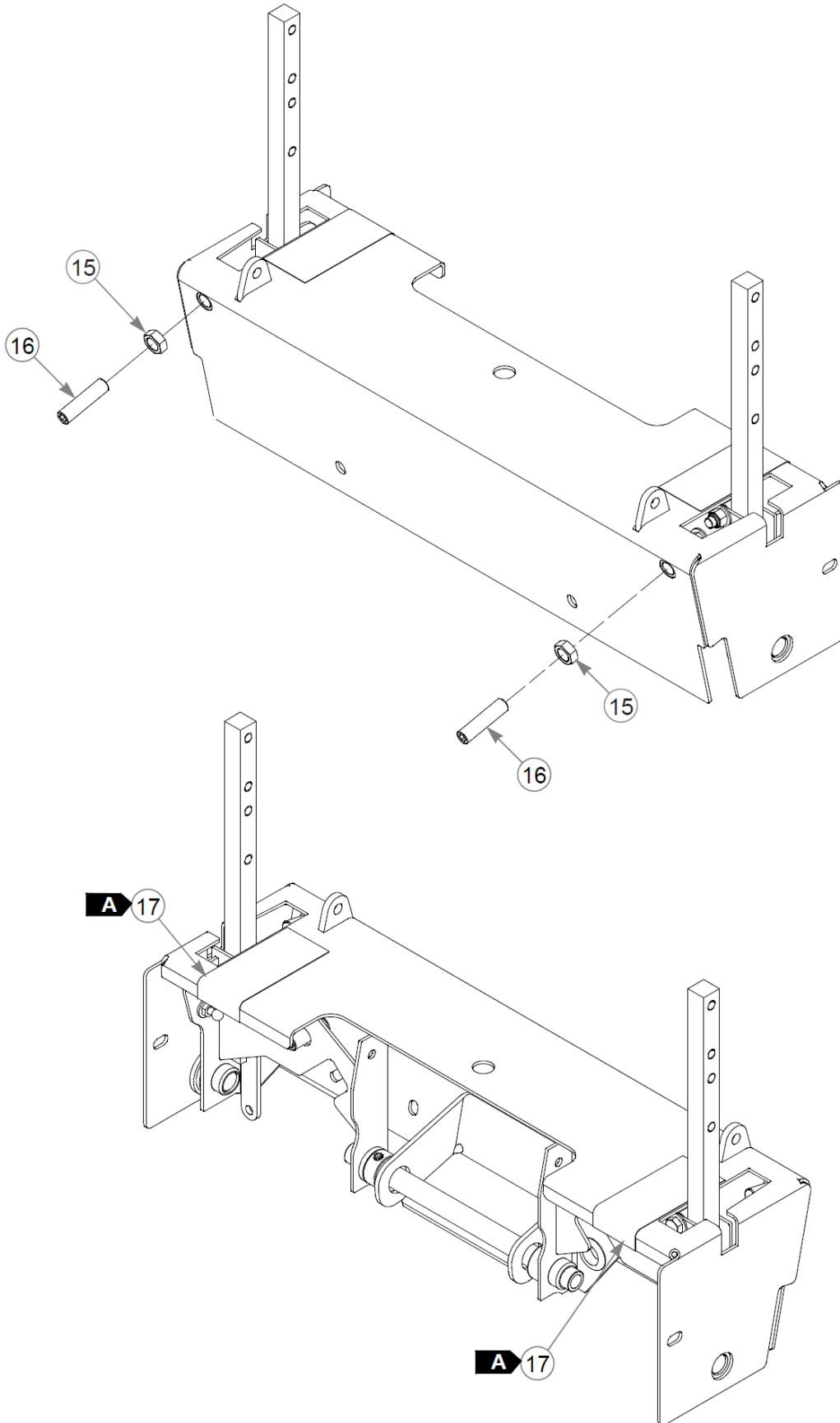


Steering Assembly (Multi-Page)

| Item | Part No. | Qty | Name |
|------|----------|-----|--------------------------|
| 1 | 604295 | 1 | STEERING BOX SUB, RH |
| 2 | 604296 | 1 | STEERING BOX SUB, LH |
| 3 | 023655 | 2 | NT 0.312-24 NL G8 |
| 4 | 768523 | 6 | FW 0.343SAE |
| 5 | 034272 | 2 | NT .312-18HXG5 |
| 6 | 781922 | 2 | BALL STUD |
| 7 | 712927 | 2 | FW 0.344X1.00X.12 HD ZN |
| 8 | 781286 | 2 | PUMP ROD ADJUSTER ASSY |
| 9 | 112895 | 1 | STEERING COVER W/A, SZ |
| 10 | 781153 | 2 | BUSHING, UHMW |
| 11 | 603078 | 2 | FW .750X1.50X.16 ZN |
| 12 | 784439 | 2 | LOCK COLLAR,0.757 ID(FS) |
| 13 | 113007 | 1 | STEER PIVOT TUBE, SZ |
| 14 | 080358 | 1 | GM .50X1.00X.75X.12 |
| 15 | 053199 | 2 | NT .500-13JAMG5 |
| 16 | 603055 | 2 | SS .500-13X 2.50 SH ZN |
| 17 | 722199 | 11" | POLYURETHANE 2" (FS) |



This page intentionally left blank



Steering Assembly (Multi-Page)

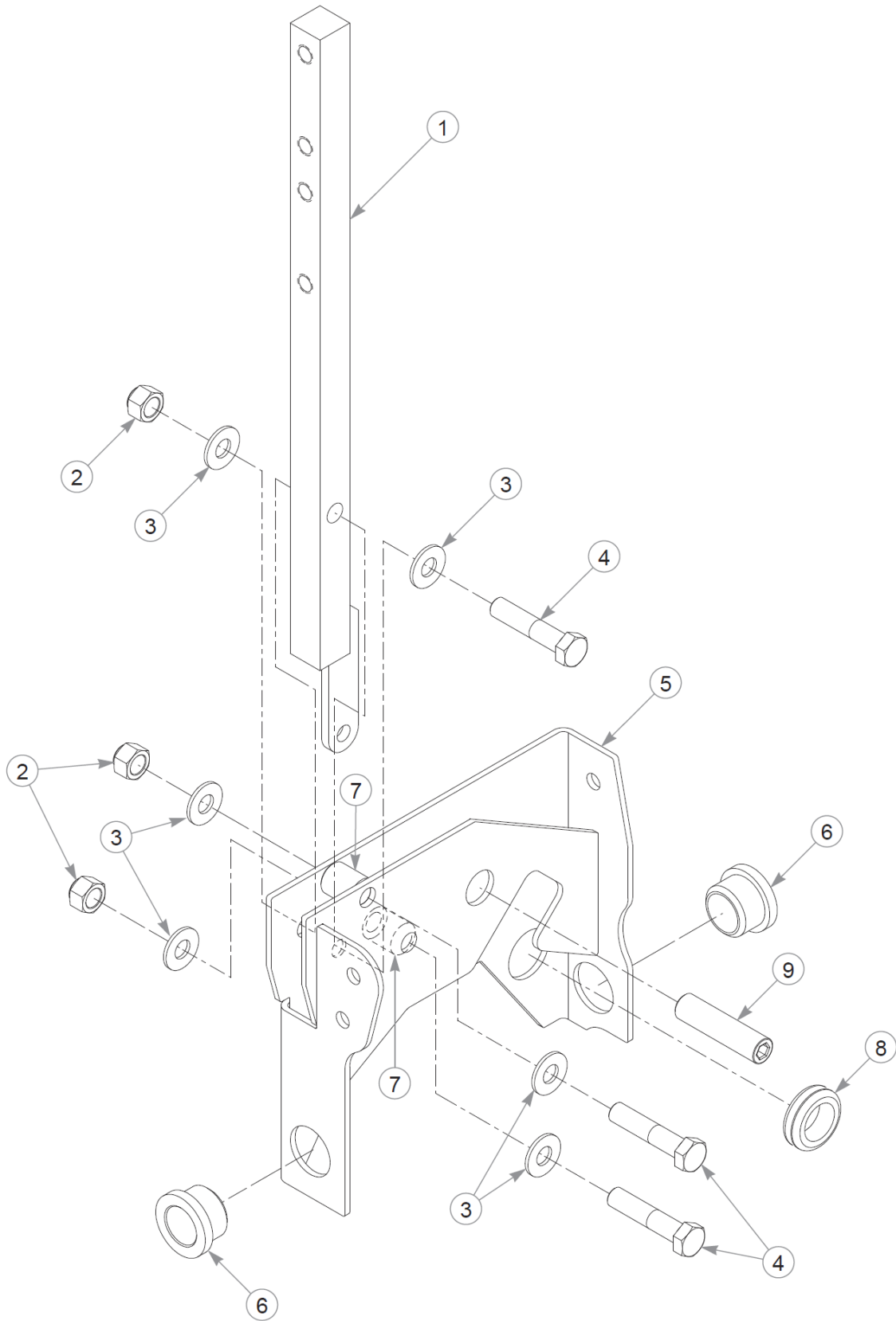
Comments for Page: Steering Assembly (Multi-Page)

WEAR TAPE LENGTH

A: 14 cm +/- 0.8 cm

1. The steering cover includes the decal.

LS Steering Box Assembly Breakdown



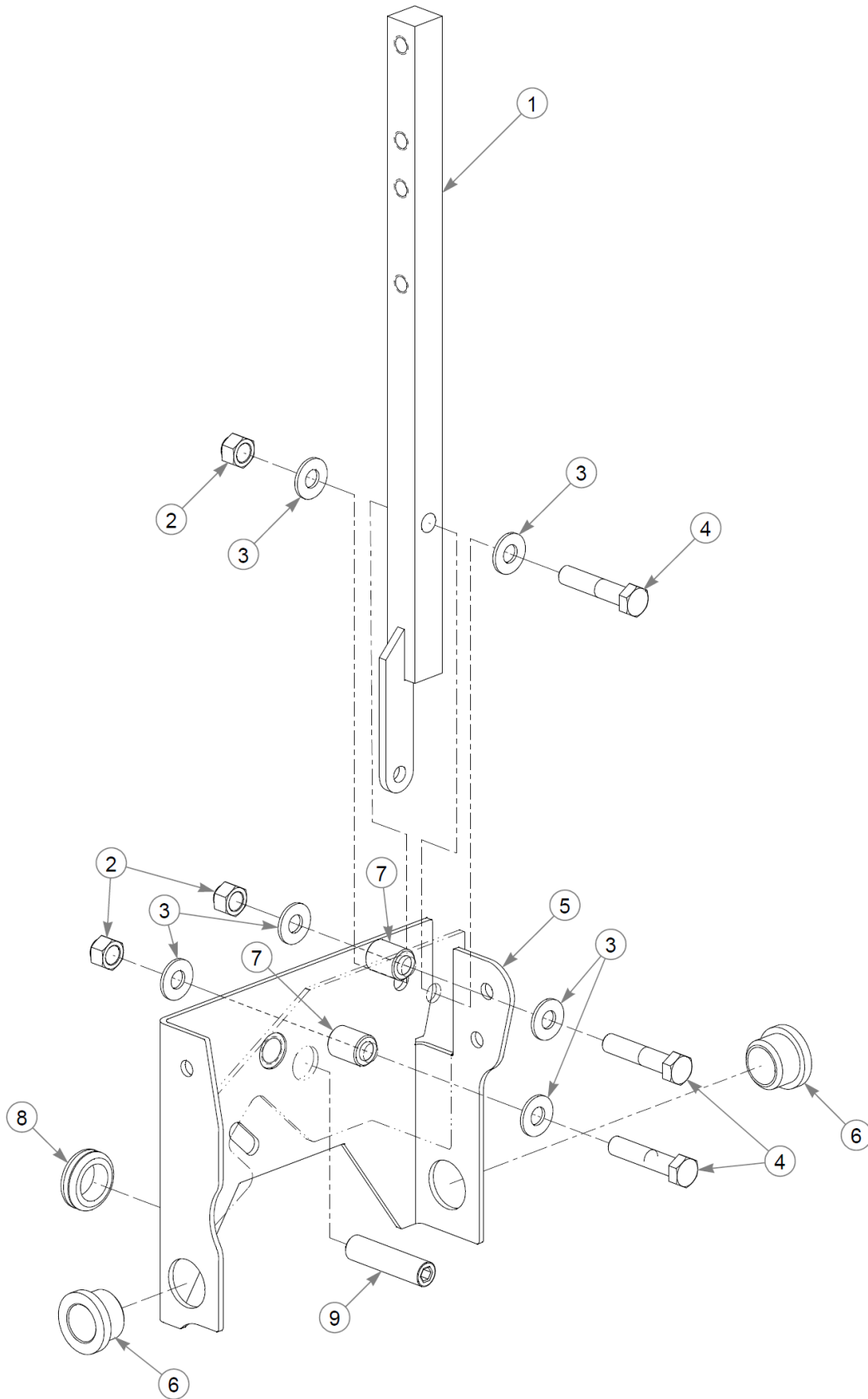
LS Steering Box Assembly Breakdown

Super 104 Parts Manual - 939652CE - HTSWSR104KAWFX1000VC

| Item | Part No. | Qty | Name |
|------|----------|-----|-------------------------|
| 1 | NSS | 1 | STEERING ARM W/A |
| 2 | 086660 | 3 | NT .375-16NLG8 |
| 3 | 767954 | 6 | FW 0.379X.82X.06 HD ZN |
| 4 | 705178 | 3 | CS .375-16X1.750HXG5 |
| 5 | 112899 | 1 | STEERING BOX W/A LH |
| 6 | 781153 | 2 | BUSHING, UHMW |
| 7 | 348862 | 2 | STEERLEVER BUSHING (PLA |
| 8 | 047456 | 1 | GM .750X.188X1.00X.12 |
| 9 | 797738 | 1 | SS .500-13X2.000SH |

Comments for Page: LS Steering Box Assembly Breakdown

1. Torque all hardware to 33 ft-lbs \pm 10%.



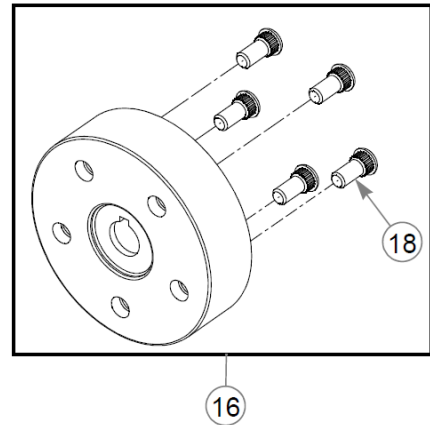
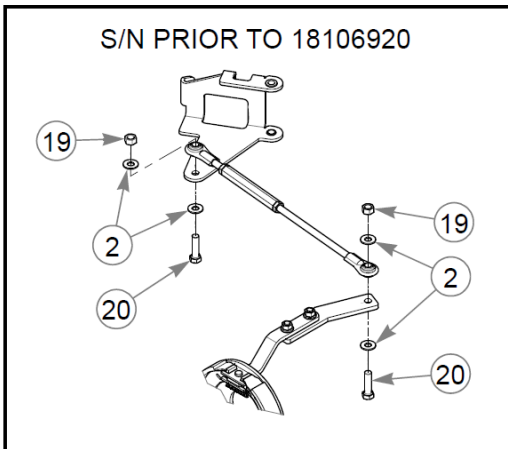
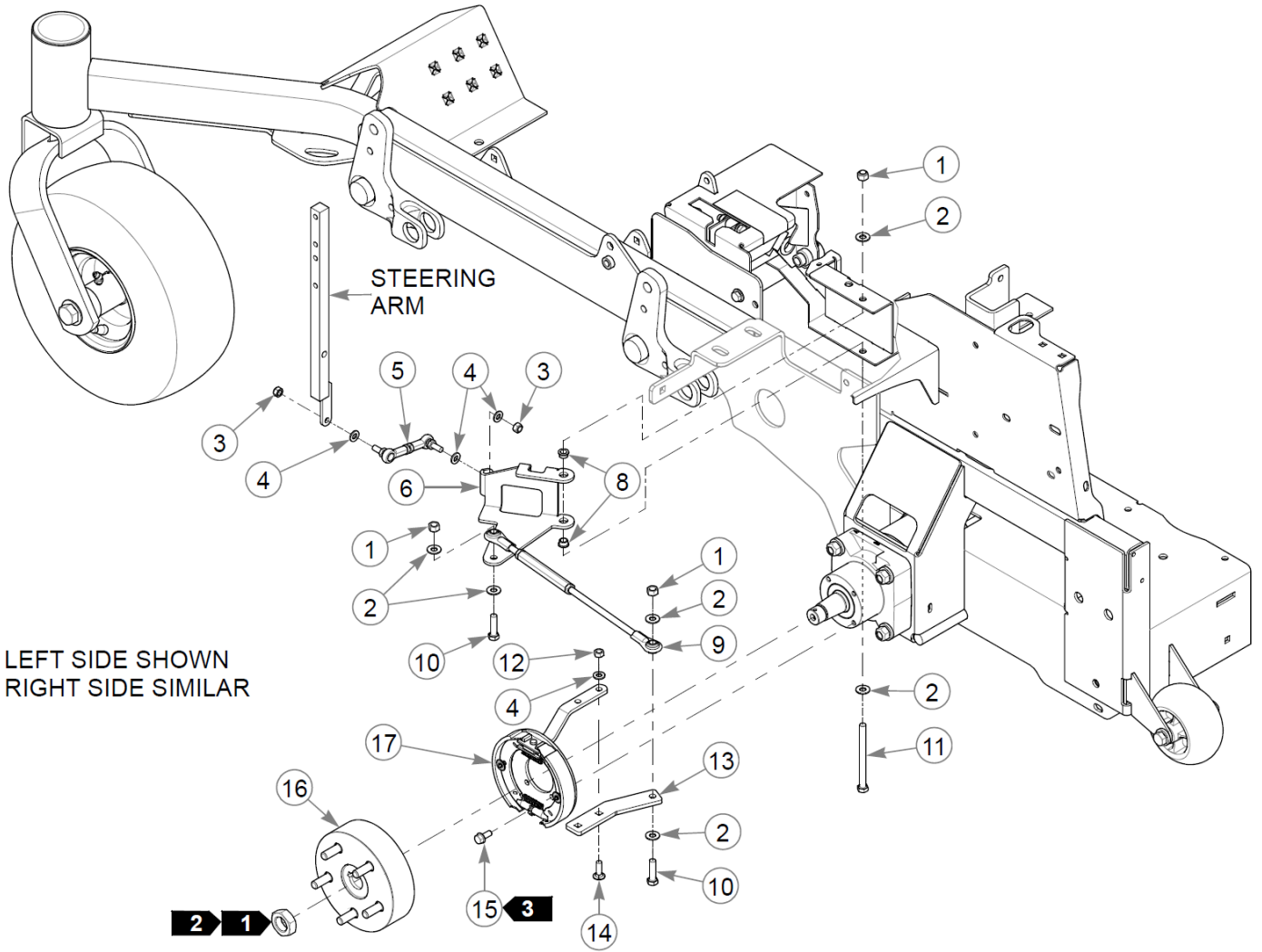
RS Steering Box Assembly Breakdown

Super 104 Parts Manual - 939652CE - HTSWSR104KAWFX1000VC

| Item | Part No. | Qty | Name |
|------|----------|-----|-------------------------|
| 1 | NSS | 1 | STEERING ARM W/A |
| 2 | 086660 | 3 | NT .375-16NLG8 |
| 3 | 767954 | 6 | FW 0.379X.82X.06 HD ZN |
| 4 | 705178 | 3 | CS .375-16X1.750HXG5 |
| 5 | 112898 | 1 | STEERING BOX W/A, RH |
| 6 | 781153 | 2 | BUSHING, UHMW |
| 7 | 348862 | 2 | STEERLEVER BUSHING (PLA |
| 8 | 047456 | 1 | GM .750X.188X1.00X.12 |
| 9 | 797738 | 1 | SS .500-13X2.000SH |

Comments for Page: RS Steering Box Assembly Breakdown

1. Torque all hardware to 33 ft-lbs \pm 10%.

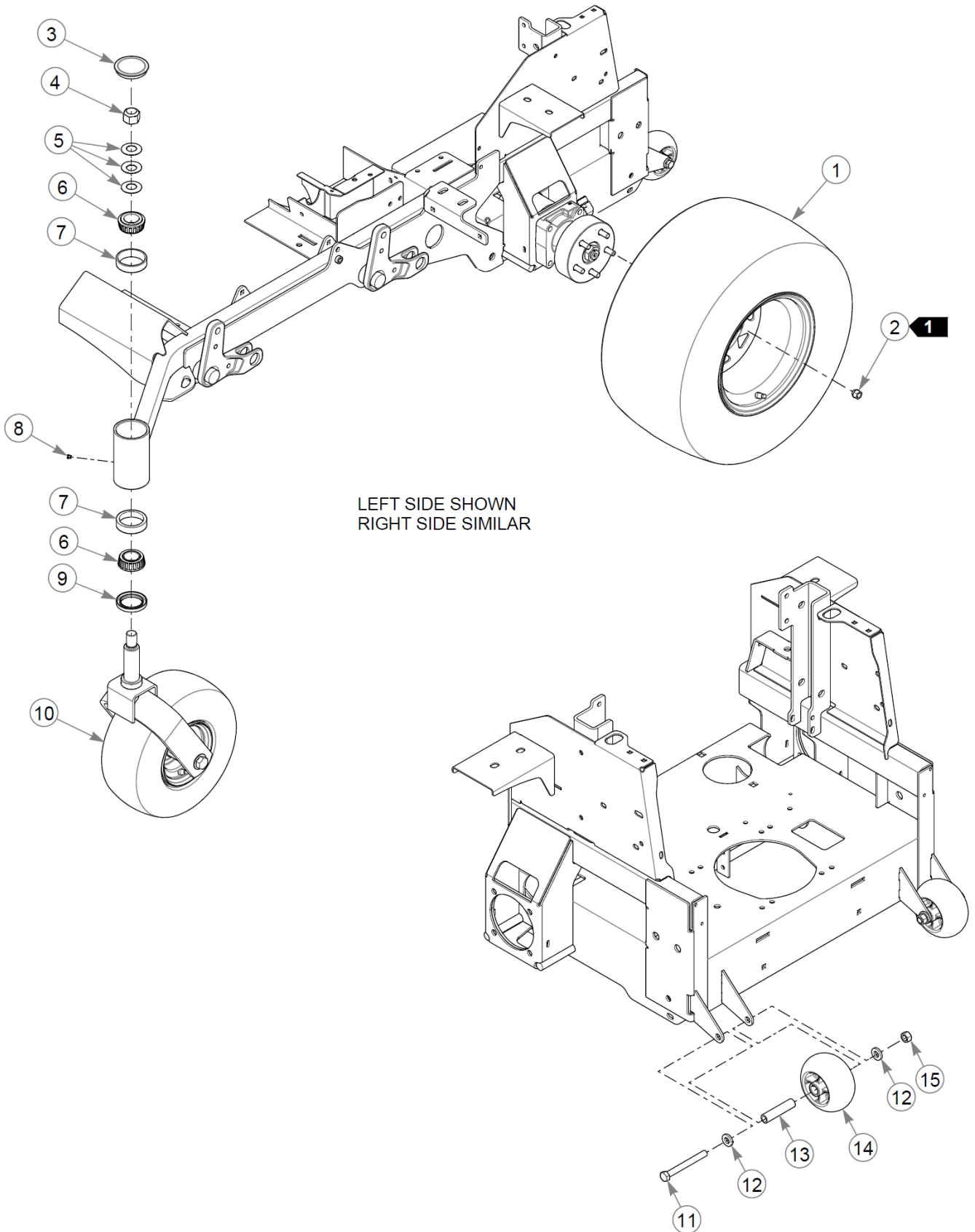


Brake

| Item | Part No. | Qty | Name |
|------|----------|-----|--------------------------|
| 1 | 086660 | 6 | NT .375-16NLG8 |
| 2 | 767954 | 12 | FW 0.379X.82X.06 HD ZN |
| 3 | 023655 | 4 | NT 0.312-24 NL G8 |
| 4 | 768523 | 10 | FW 0.343SAE |
| 5 | 781583 | 2 | BRAKE ROD ASSEMBLY |
| 6 | 112907 | 1 | BRAKE BELLCRANK, SZ LS |
| 7 | 112906 | 1 | BRAKE BELLCRANK, SZ RS |
| 8 | 765339 | 4 | BUSHING,IGUS#0608 (FS) |
| 9 | 350397 | 2 | BRAKE LINK TURNBUCKLE A |
| 10 | 080655 | 4 | CS .375-16X1.500HXG5 |
| 11 | 052514 | 2 | CS .375-16X4.500HXG5 |
| 12 | 034272 | 4 | NT .312-18HXG5 |
| 13 | 111309 | 2 | BRAKE ARM,Z4 |
| 14 | 037887 | 4 | CB .312-18X 1.000 FUL ZN |
| 15 | 604461 | 8 | CS .312-18X.75HXG8 FL |
| 16 | 602384 | 2 | HUB ASSY, PARKER |
| 17 | 602383 | 2 | BRAKE ASSY, PARKER |
| 18 | 606124 | 5 | STUD 1/2-20 X 1 1/2" |
| 19 | 054502 | 4 | NT .375-16HXG5 |
| 20 | 005116 | 4 | CS .375-16X1.38 HX G5 ZN |

Comments for Page: Brake

1. Included with the wheel motor.
2. Torque to 298–325 N•m.
3. Torque to 37 N•m.
4. The hub assembly includes the studs.

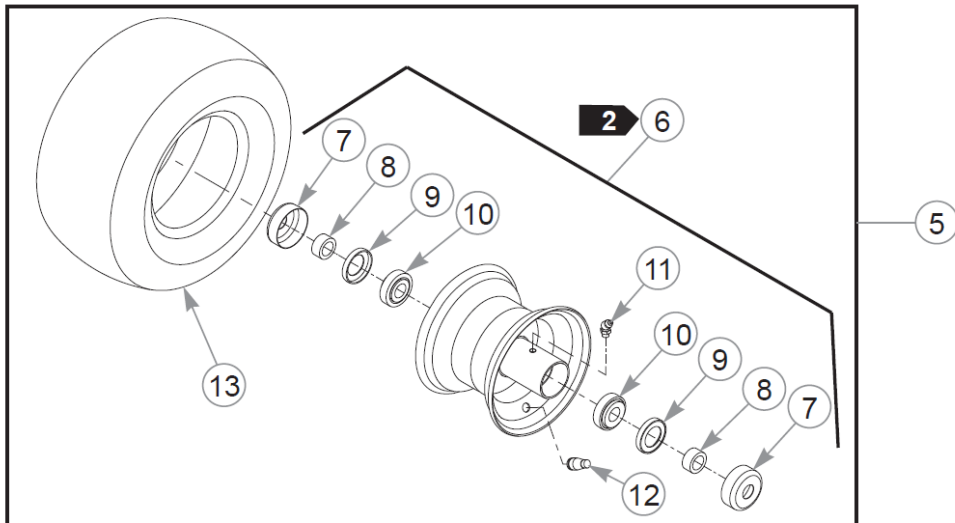


Wheels & Tires

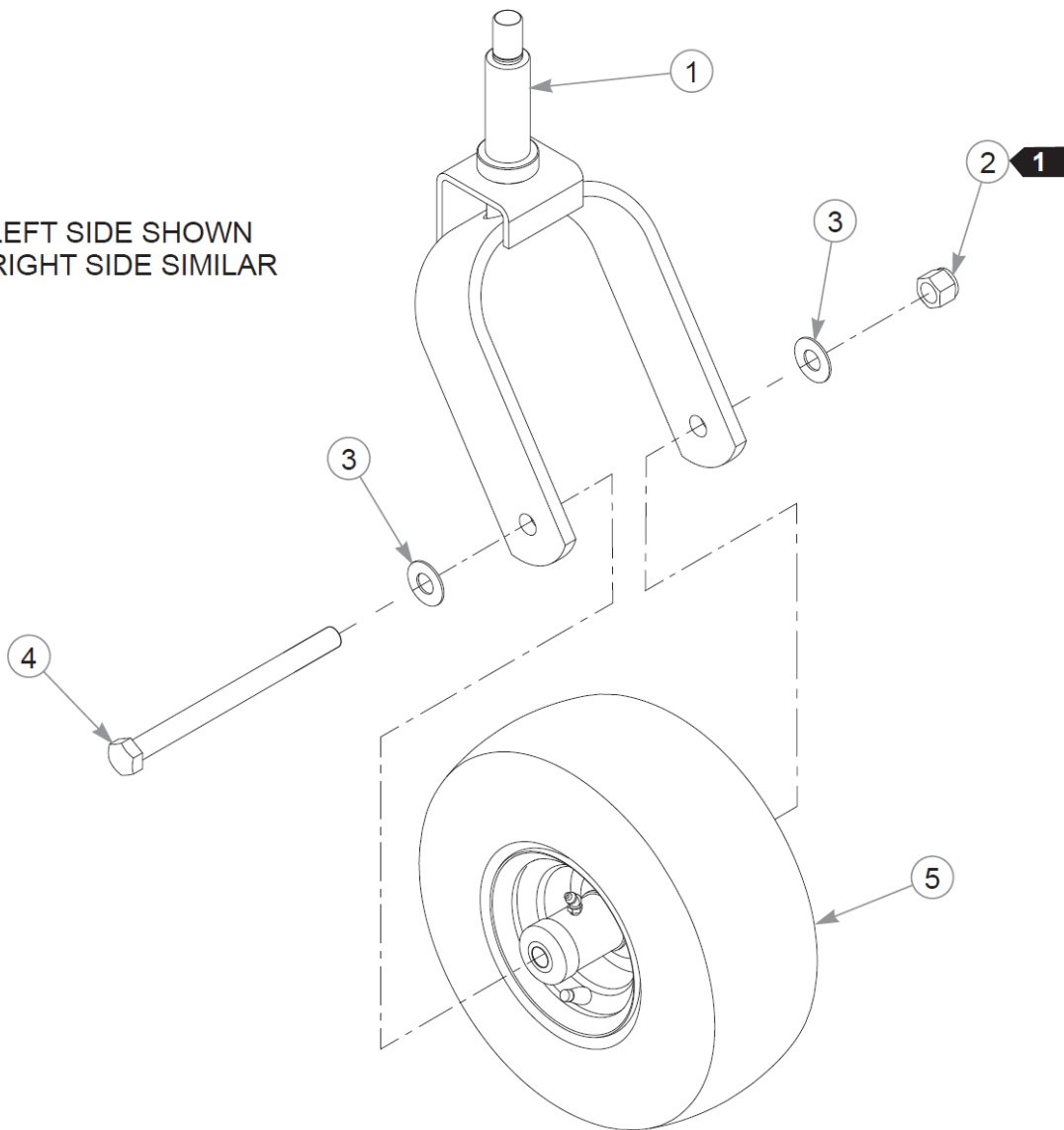
| Item | Part No. | Qty | Name |
|------|----------|-----|---|
| 1 | 603928 | 2 | TIR/WHL 26X12.00-12 SLV |
| 2 | 061077 | 10 | WHEEL NUT |
| 3 | 606722 | 2 | DUST CAP |
| 4 | 606721 | 2 | NT 1.00-8 HX ZN NL |
| 5 | 606720 | 6 | CW 1.00 X 2.00 X .13 |
| 6 | 606717 | 4 | BEARING, TAPERED ROLLER |
| 7 | 606716 | 4 | RACE, TAPERED ROLLER |
| 8 | 606817 | 2 | GREASE PLUG |
| 9 | 606718 | 2 | SEAL, 2.063 X 3.00 |
| 10 | | 2 | REFER TO "FRONT WHEEL ASSEMBLY BREAKDOWN" |
| 11 | 068239 | 2 | CS .500-13X4.500HXG5 |
| 12 | 767962 | 4 | FW .531 x 1.063 x .175 |
| 13 | 602345 | 2 | SPACER, ANTI-SCALP 3.22 |
| 14 | 602263 | 2 | WHEEL, ANTI-SCALP |
| 15 | 008193 | 2 | NT .500-13HXG5 |

Comments for Page: Wheels & Tires

1. Torque to 88–102 N•m.



LEFT SIDE SHOWN
RIGHT SIDE SIMILAR

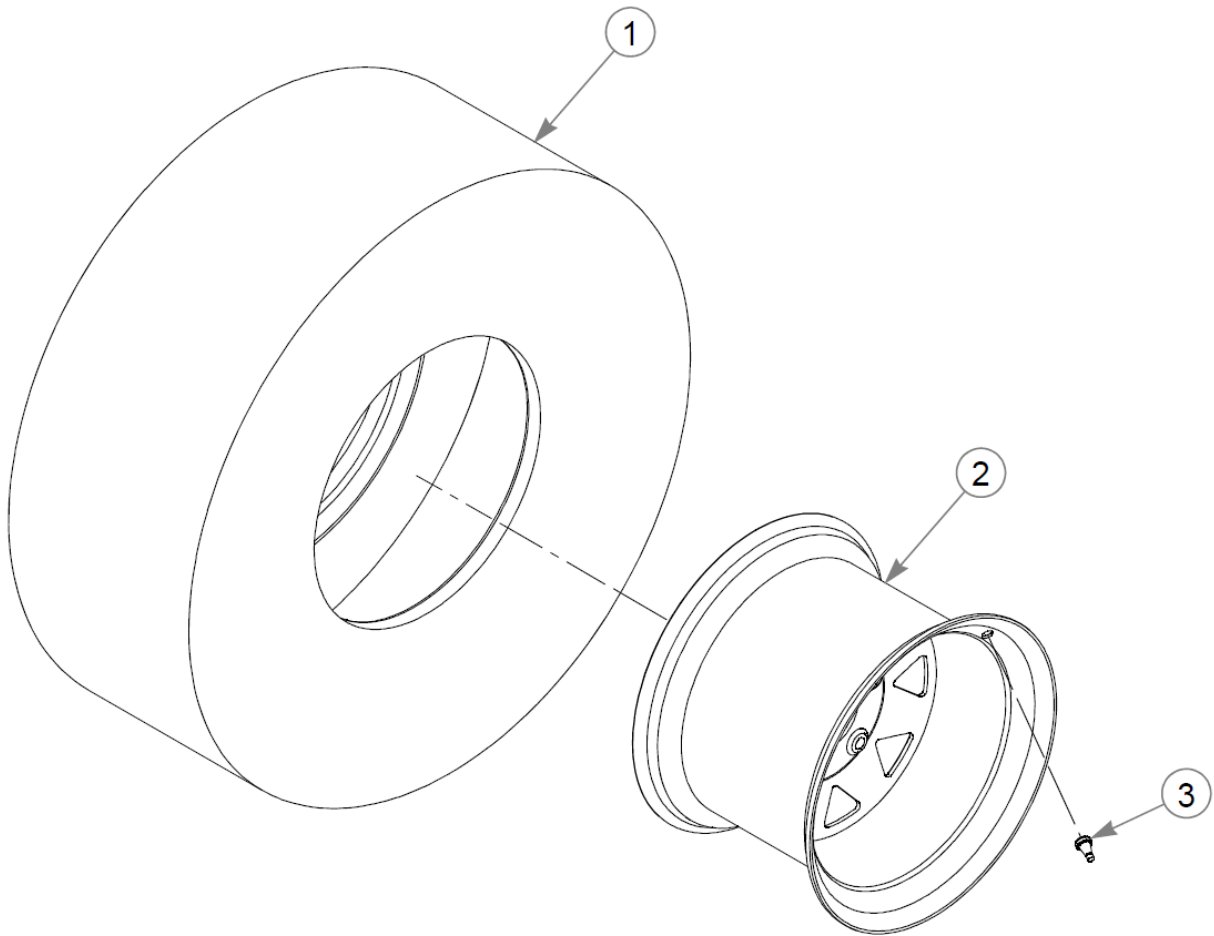


Front Wheel Assembly Breakdown

| Item | Part No. | Qty | Name |
|------|----------|-----|--------------------------|
| 1 | 123647-1 | 1 | W/A, CASTER FORK |
| 2 | 061101 | 1 | NT .750-10 HX ZN NL GR B |
| 3 | 025296 | 2 | FW .760X1.63X0.08 ZN |
| 4 | 041475 | 1 | CS .750-10X9.50 HX G5 ZN |
| 5 | 606746 | 1 | TIR/WHL 15X6.00-6 SLV |
| 6 | 606751 | 1 | WHL 6X4.50 SLV |
| 7 | 606815 | 2 | DUST CAP, 0.752 ID |
| 8 | 606778 | 2 | SPACER, 0.531 |
| 9 | 606780 | 2 | SEAL |
| 10 | 606753 | 2 | BEARING, TAPERED ROLLER |
| 11 | 606126 | 1 | GREASE FITTING, M8X1.0 |
| 12 | 019521 | 1 | TIRE VALVE TR-412 GOODY |
| 13 | 791913 | 1 | TIR 15X6.00-6 B8R SMTH |

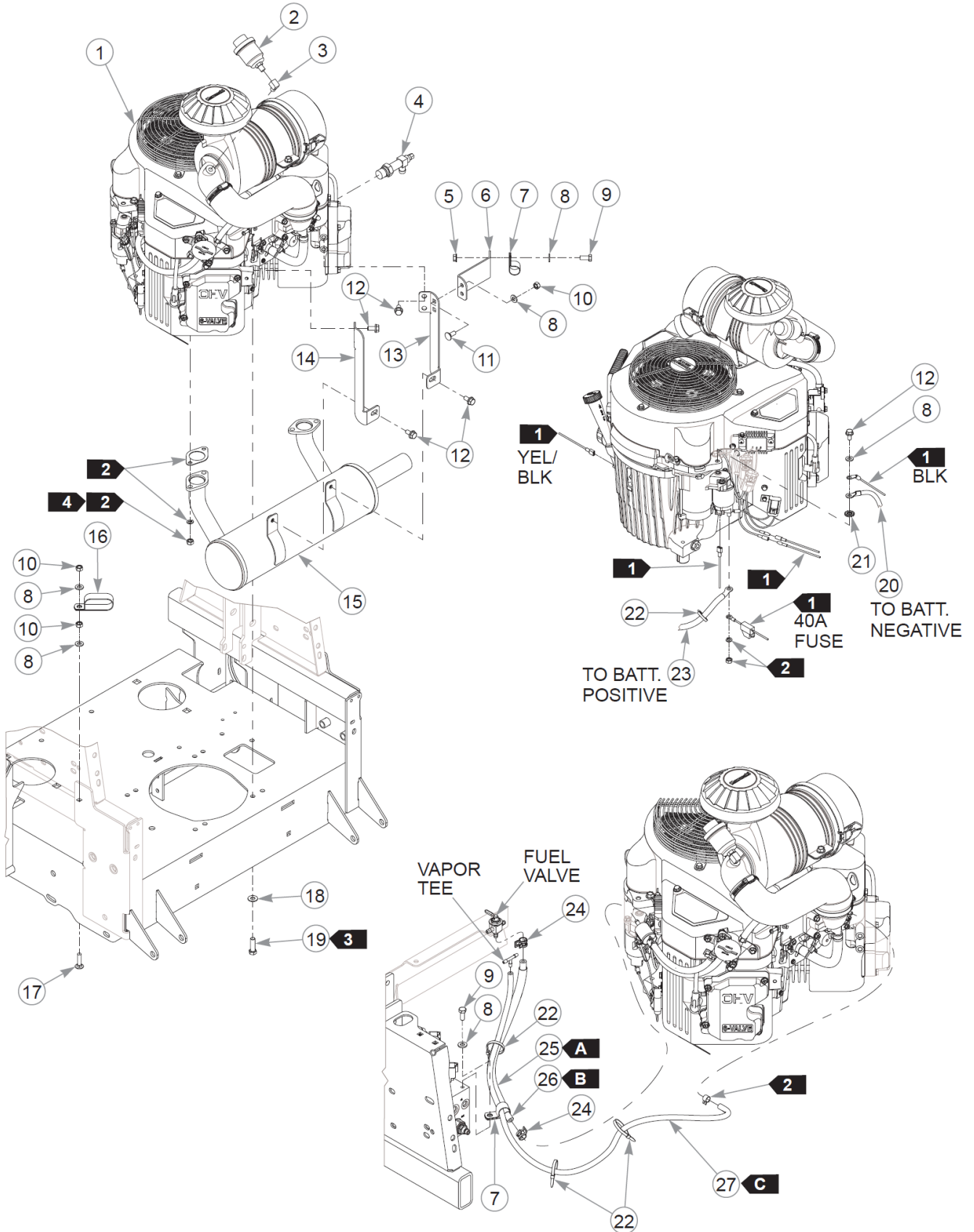
Comments for Page: Front Wheel Assembly Breakdown

1. Tighten, then back off the nut until the wheel spins freely.
2. Refer to the General Service Manual for wheel bearing service procedures.



Drive Wheel Breakdown

| Item | Part No. | Qty | Name |
|------|----------|-----|--------------------------|
| 1 | 603775 | 1 | TIR 26X12.00-12 B6R GRMR |
| 2 | 604367 | 1 | WHEEL ASSY, 12 X 10.50 |
| 3 | 019521 | 1 | TIRE VALVE TR-412 GOODY |



Engine & Muffler

| Item | Part No. | Qty | Name |
|------|----------|-----|--------------------------|
| 1 | | 1 | ENGINE, KAW FX1000V |
| 2 | 788943 | 1 | AIR FILTER INDICATOR |
| 3 | 601216 | 1 | FTG, ELBOW, STREET |
| 4 | 796524 | 1 | VALVE,OIL DRAIN M20x2.5 |
| 5 | 016832 | 1 | NT .312-18FLKG5 |
| 6 | 606205 | 1 | BRACKET, THROTTLE WIRE |
| 7 | 043570 | 2 | CLIP - HOSE - SINGLE(FS) |
| 8 | 768523 | 7 | FW 0.343SAE |
| 9 | 034280 | 2 | CS .312-18X0.750HXG5 |
| 10 | 034272 | 4 | NT .312-18HXG5 |
| 11 | 016253 | 2 | CB .312-18X .750 FUL ZN |
| 12 | 720516 | 7 | CS M8-1.25X16HX FL10.9 |
| 13 | 122504 | 1 | BRACKET, MUFFLER RT |
| 14 | 122505 | 1 | BRACKET, MUFFLER LFT |
| 15 | 606040 | 1 | MUFFLER, FX1000V |
| 16 | 045088 | 1 | HOSE CLAMP 1" (FS) |
| 17 | 602827 | 1 | CB .312-18X 1.250 ZN |
| 18 | 767954 | 4 | FW 0.379X.82X.06 HD ZN |
| 19 | 602580 | 4 | CS .375-16X1.25HXG8ZYP85 |
| 20 | 606440 | 1 | BATTERY CABLE, NEGATIVE |
| 21 | 029876 | 1 | LW .312 INTEXT ZN |
| 22 | 000331 | 4 | WIRE TIE, SMALL/SHORT |
| 23 | 606439 | 1 | BATTERY CABLE, POSITIVE |
| 24 | 000323 | 2 | CLIP, HOSE CLAMP |
| 25 | 605215 | 41 | FUEL LINE THERMAL SHIELD |

Comments for Part Num. 605215

Sold by the foot.

| | | | |
|----|--------|----|-----------------|
| 26 | 015818 | 43 | FUEL LINE, 1/4" |
|----|--------|----|-----------------|

Comments for Part Num. 015818

Sold by the foot.

| | | | |
|----|--------|----|-------------------|
| 27 | 603326 | 99 | VAPOR LINE, 3/16" |
|----|--------|----|-------------------|

Comments for Part Num. 603326

Sold by the foot.

Engine & Muffler

Comments for Page: Engine & Muffler

1. Part of the wire harness.
2. Supplied with the engine.
3. Torque to 60 N•m. Replace (do not reuse) the cap screw if it is removed or loosened. Use only hand tools to install this fastener.
4. Torque to 23 N•m.

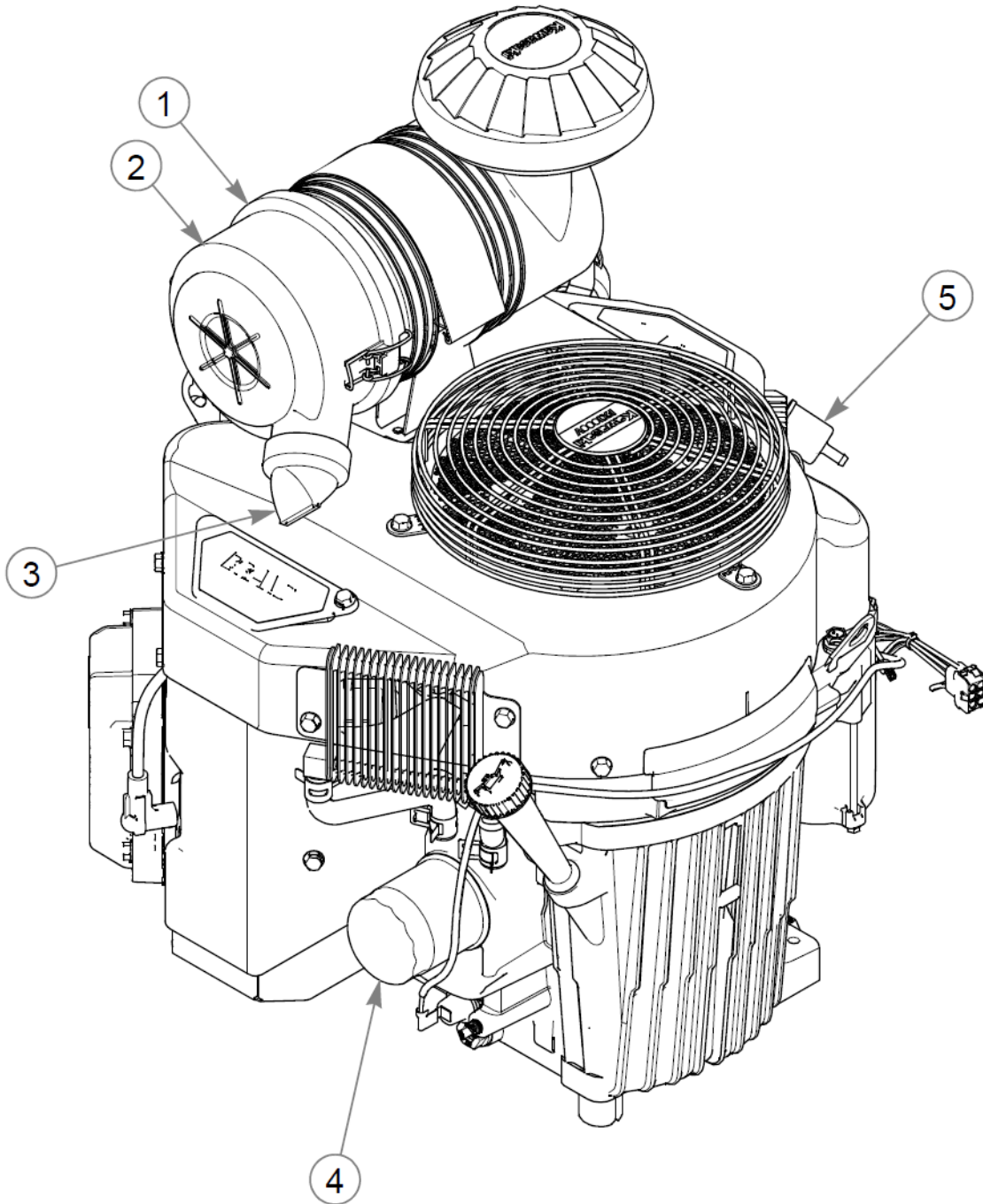
FUEL & VAPOR LINE LENGTHS

A: 41 cm FUEL LINE THERMAL SHIELD

B: 43 cm VALVE TO ENGINE (FUEL)

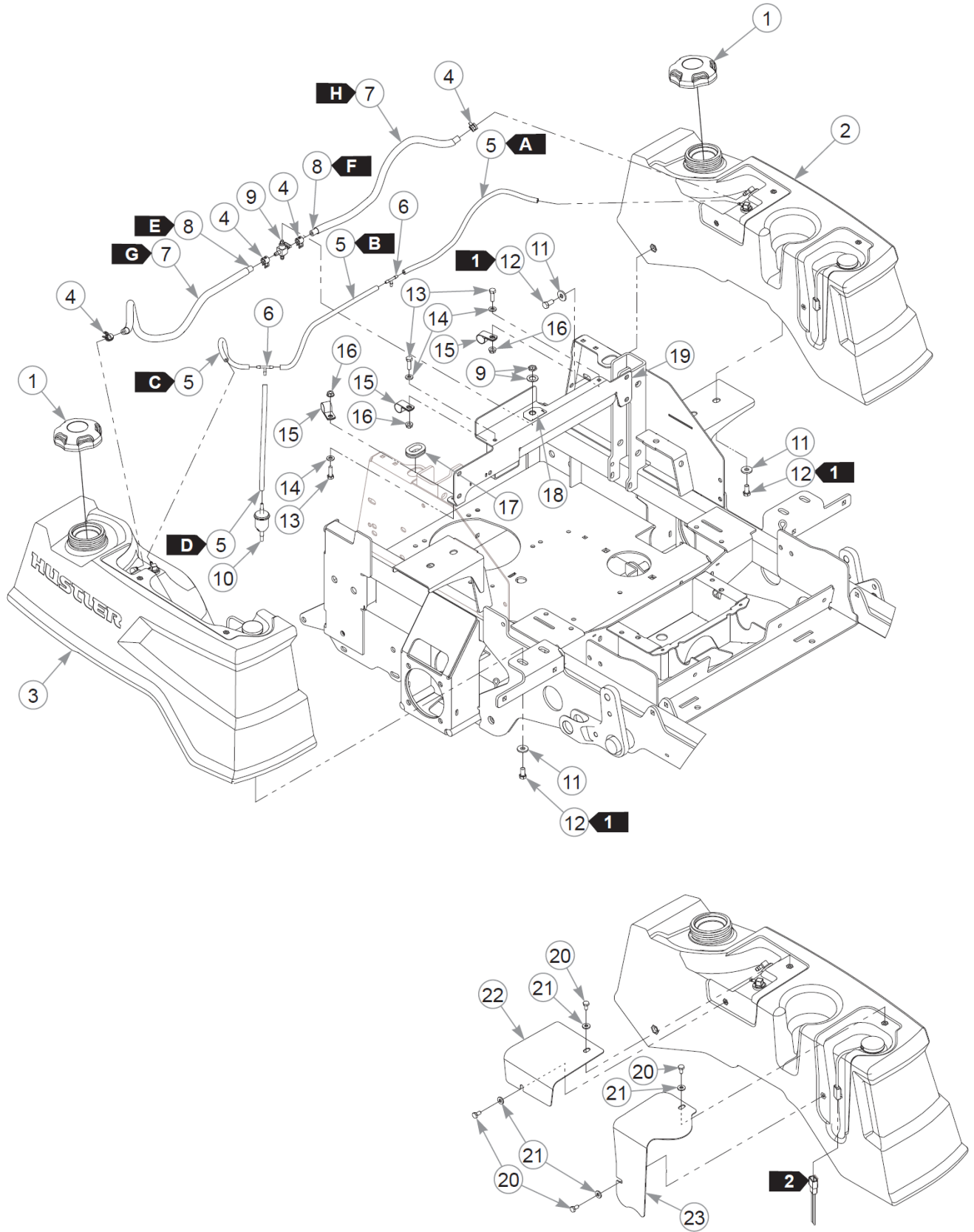
C: 99 cm TEE TO ENGINE (VAPOR)

This page intentionally left blank



Engine Service Parts

| Item | Part No. | Qty | Name |
|------|----------|-----|-------------------------|
| 1 | 785261 | 1 | AIR FILTER - MAIN |
| 2 | 785279 | 1 | AIR FILTER - SAFETY |
| 3 | 763318 | 1 | VALVE, VACUATOR (SERV P |
| 4 | 603138 | 1 | ENGINE OIL FILTER |
| 5 | 068478 | 1 | FUEL FILTER - IN LINE |



Fuel System

| Item | Part No. | Qty | Name |
|---|----------|--------|--------------------------|
| 1 | 603807 | 2 | CAP, 3.5" RATCHETING GAS |
| 2 | 607675 | 1 | FUEL TANK ASM, LH FENDER |
| 3 | 607676 | 1 | FUEL TANK ASM, RH FENDER |
| 4 | 000323 | 4 | CLIP, HOSE CLAMP |
| 5 | 603326 | 142 cm | VAPOR LINE, 3/16" |
| <p>Comments for Part Num. 603326</p> <p>Sold by the foot.</p> | | | |
| 6 | 604281 | 2 | TEE, 3/16" PLASTIC |
| 7 | 605215 | 114 cm | FUEL LINE THERMAL SHIELD |
| <p>Comments for Part Num. 605215</p> <p>Sold by the foot.</p> | | | |
| 8 | 015818 | 117 cm | FUEL LINE, 1/4" |
| <p>Comments for Part Num. 015818</p> <p>Sold by the foot.</p> | | | |
| 9 | 745059 | 1 | FUEL VALVE 3-WAY |
| 10 | 604323 | 1 | FILTER, VAPOR SYSTEM |
| 11 | 712919 | 10 | FW 0.406X1.00X.12 HD ZN |
| 12 | 055822 | 10 | CS .375-16X0.75 HX G5 ZN |
| 13 | 036236 | 3 | CS .312-18X1.000HXG5 |
| 14 | 768523 | 3 | FW 0.343SAE |
| 15 | 043570 | 3 | CLIP - HOSE - SINGLE(FS) |
| 16 | 016832 | 3 | NT .312-18FLKG5 |
| 17 | 706531 | 1 | GM 1.12X1.75X1.37X.12 |
| 18 | 791848 | 1 | DECAL, FUEL INDICATOR- M |
| 19 | 125855-1 | 1 | SUPPORT WA - FUEL LINE |
| 20 | 055947 | 4 | CS .250-20X0.50 HX G5 ZN |
| 21 | 768515 | 4 | FW 0.281SAE |
| 22 | 123182 | 1 | COVER, FUEL LINES |
| 23 | 123181 | 1 | COVER, FUEL SENDER |
| 24 | 000331 | 1 | WIRE TIE, SMALL/SHORT |

Comments for Page: Fuel System

1. Torque to 22 N•m.

Fuel System

2. Part of the wire harness.

FUEL & VAPOR LINE LENGTHS

A: 46 cm LEFT TANK TO TEE (VAPOR)

B: 33 cm TEE TO TEE (VAPOR)

C: 33 cm RIGHT TANK TO TEE (VAPOR)

D: 30 cm TEE TO FILTER (VAPOR)

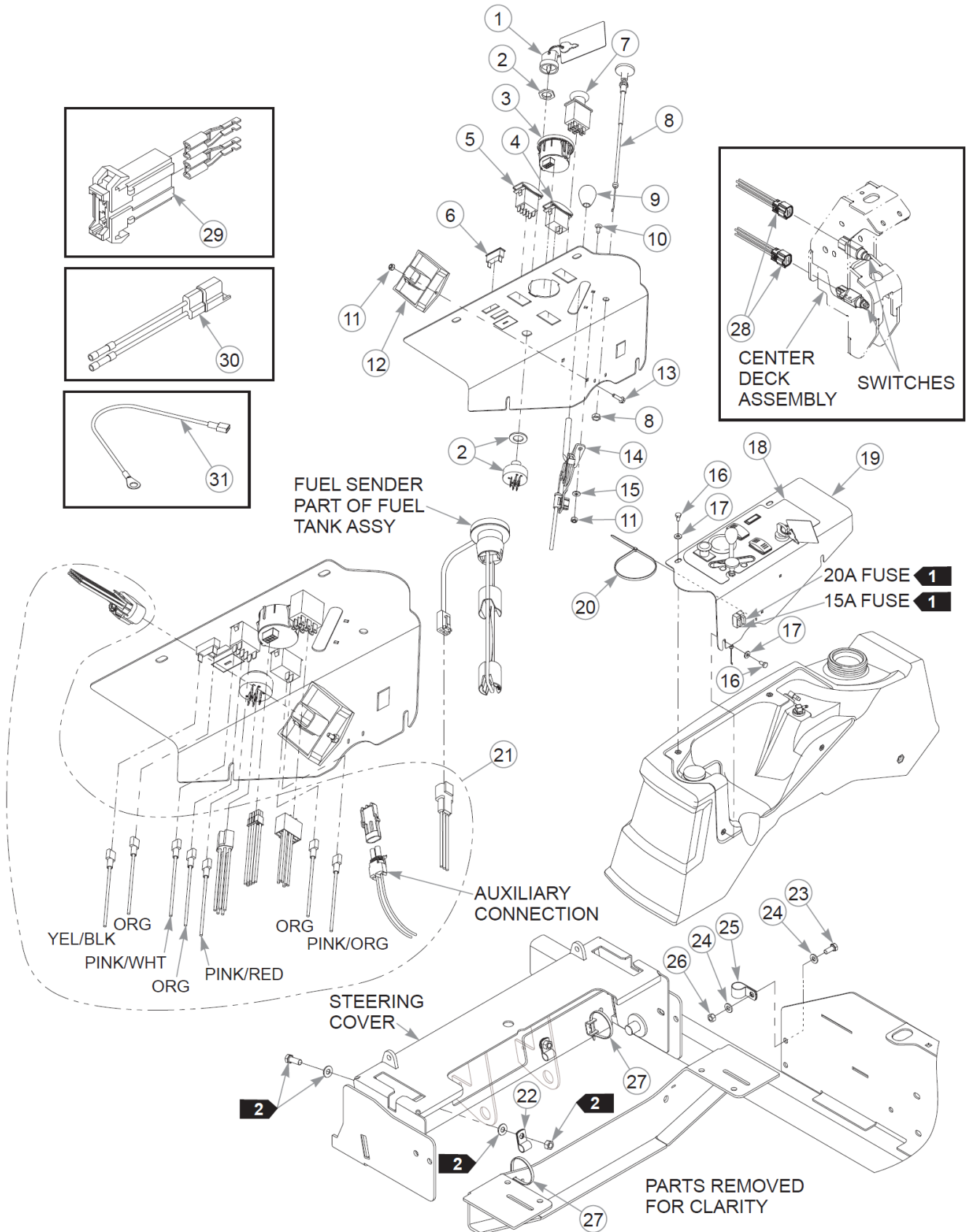
E: 65 cm RIGHT TANK TO VALVE (FUEL)

F: 52 cm LEFT TANK TO VALVE (FUEL)

G: 64 cm RIGHT TANK TO VALVE (THERMAL SHIELD)

H: 51 cm LEFT TANK TO VALVE (THERMAL SHIELD)

This page intentionally left blank



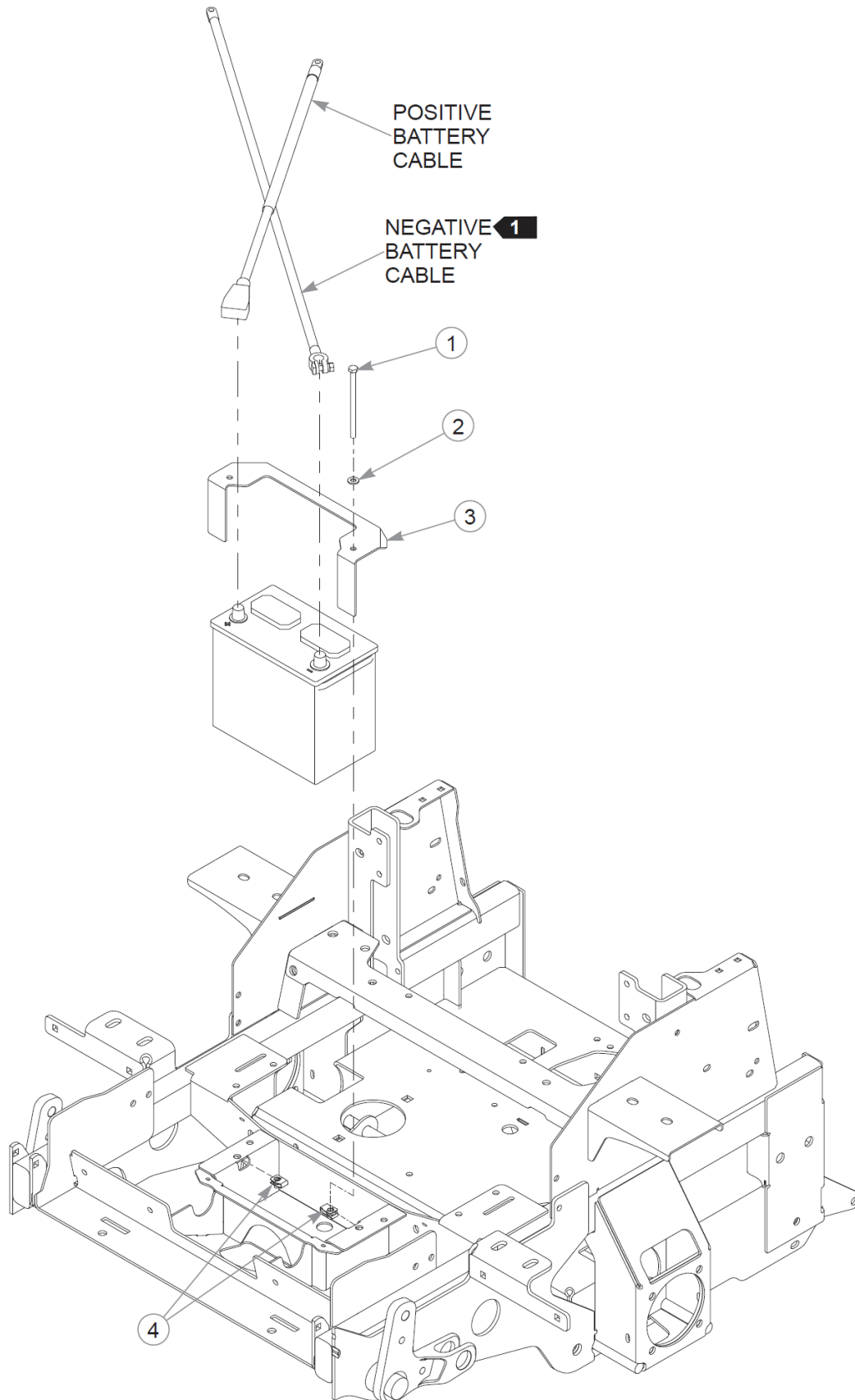
| Item | Part No. | Qty | Name |
|------|----------|-----|--------------------------|
| 1 | 785808 | 1 | KEY ASSEMBLY |
| 2 | 045898 | 1 | IGNITION SWITCH |
| 3 | 606068 | 1 | GAUGE, FUEL/HOURMETER |
| 4 | 604885 | 1 | SWITCH, ROCKER |
| 5 | 797308 | 1 | SWITCH, ROCKER SPDT |
| 6 | 712257 | 1 | INDICATOR LIGHT, RED(FS) |
| 7 | 776476 | 1 | SWITCH, PTO 6201-321 |
| 8 | 601095 | 1 | CABLE, CHOKE |
| 9 | 603523 | 1 | KNOB |
| 10 | 601098 | 2 | CB 10-24 X .500 ZYNC |
| 11 | 059832 | 4 | NT #10-24 HX NL ZN |
| 12 | 604373 | 1 | RELAY CONTROL MODULE |
| 13 | 063198 | 2 | CS #10-24X0.750FLKG5 |
| 14 | 603409 | 1 | CABLE, THRTL 60" |
| 15 | 704932 | 2 | FW 0.219X.50X.05 ZN |
| 16 | 055947 | 4 | CS .250-20X0.50 HX G5 ZN |
| 17 | 768515 | 4 | FW 0.281SAE |
| 18 | 607687 | 1 | DECAL, INSTR PANEL |
| 19 | 555242 | 1 | SVC, INSTR PANEL |
| 20 | 000430 | 1 | WIRE TIE, SMALL/LONG |
| 21 | 604093 | 1 | WIRE HARNESS, S104 |
| 22 | 000398 | 2 | CLAMP - 50 CNT BAGS |
| 23 | 034280 | 1 | CS .312-18X0.750HXG5 |
| 24 | 768523 | 2 | FW 0.343SAE |
| 25 | 043570 | 1 | CLIP - HOSE - SINGLE(FS) |
| 26 | 034272 | 1 | NT .312-18HXG5 |
| 27 | 000331 | 9 | WIRE TIE, SMALL/SHORT |
| 28 | 604085 | 1 | WIRE HARNESS, WING |
| 29 | 601047 | 1 | HOLDER, FUSE |
| 30 | 114052 | 1 | KIT, CLUTCH CONN. REP. |
| 31 | 604430 | 1 | WIRE HARNESS |

Comments for Page: Instrument Panel & Wire Harness

1. Part of the wire harness.
2. Part of the steering assembly.

3. The instrument panel includes the decal.

This page intentionally left blank

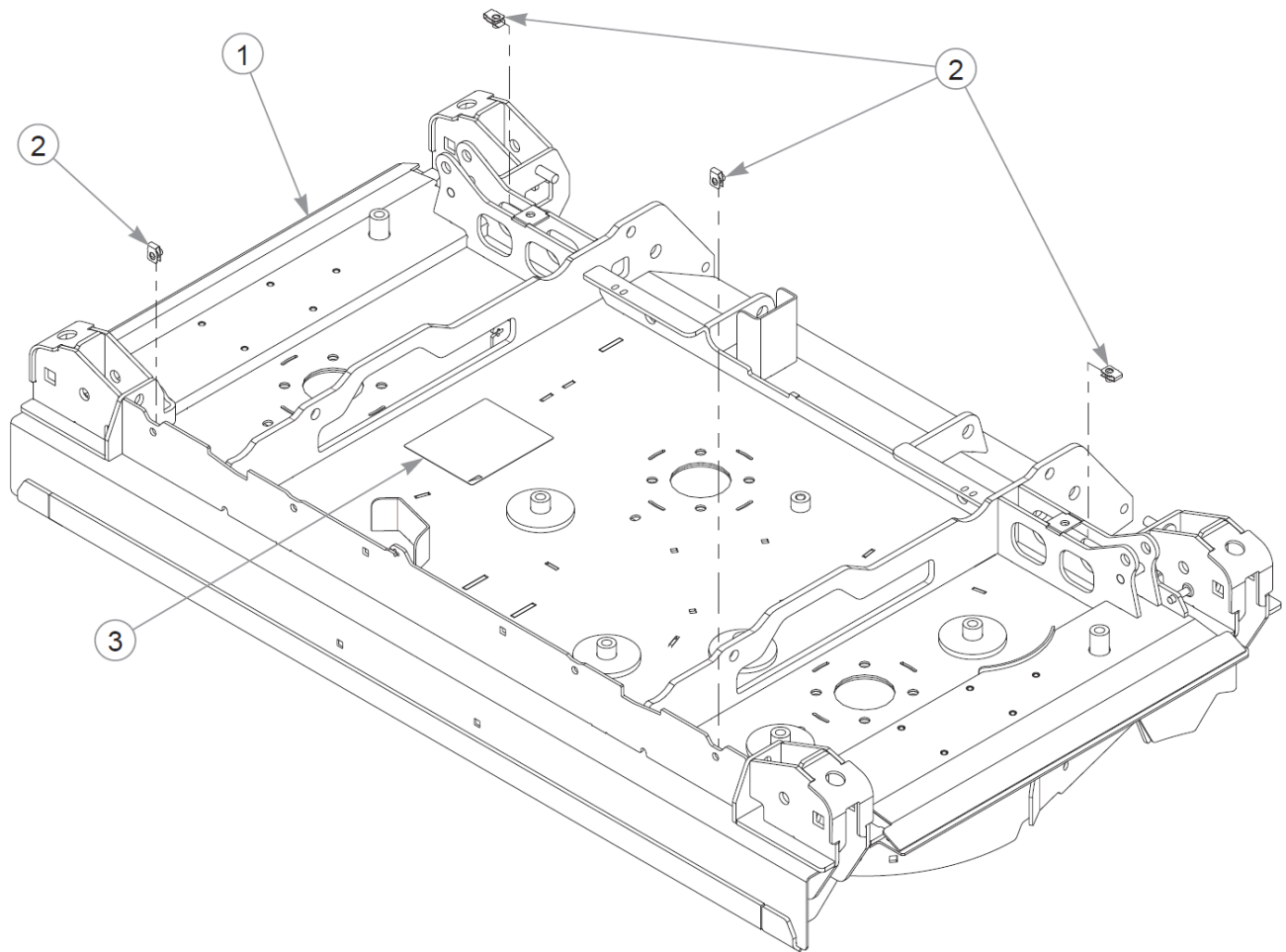


Battery

| Item | Part No. | Qty | Name |
|------|----------|-----|--------------------------|
| 1 | 050823 | 2 | CS .312-18X5.000HXG5 |
| 2 | 768523 | 2 | FW 0.343SAE |
| 3 | 124387-1 | 1 | BATTERY STRAP, SZ GRP 45 |
| 4 | 601069 | 2 | CN .312-18x.200 MAX THK |
| 5 | 000331 | 3 | WIRE TIE, SMALL/SHORT |

Comments for Page: Battery

1. When performing service on the mower, disconnect the negative battery cable and do not reconnect it to the battery until ready to start the engine.

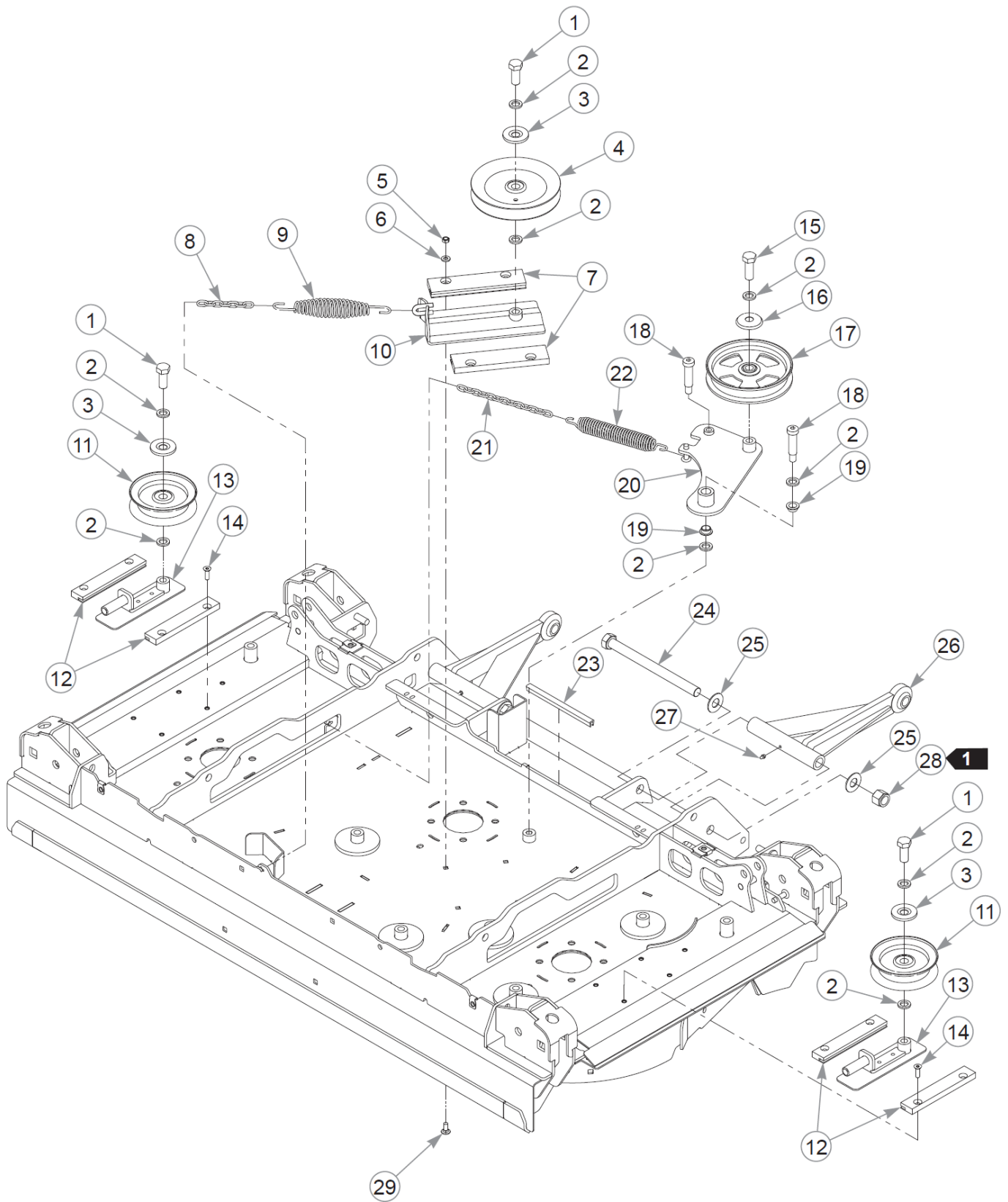


Center Service Deck

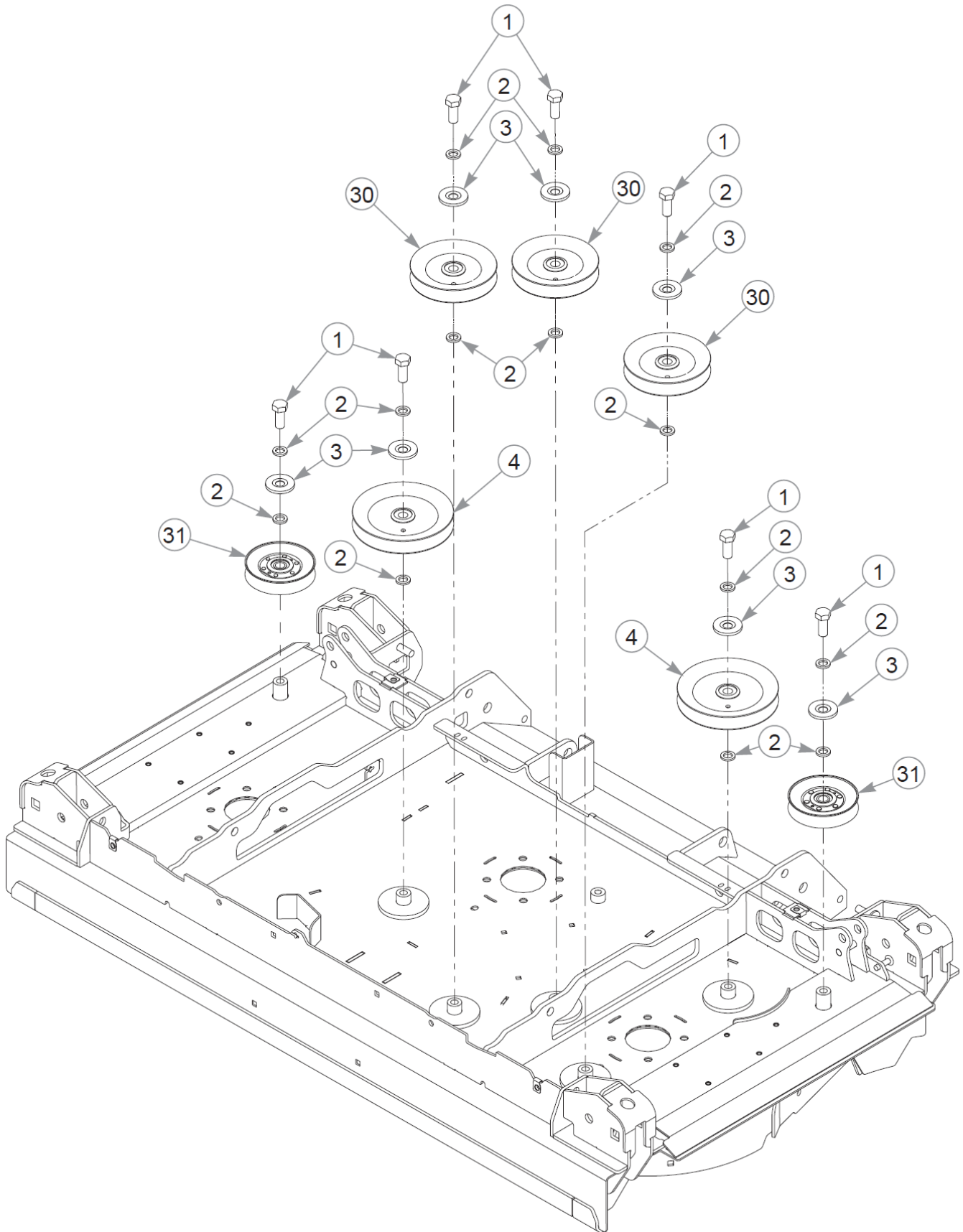
| Item | Part No. | Qty | Name |
|------|----------|-----|-------------------------|
| 1 | 555190 | 1 | SVC, DECK DECAL |
| 2 | 601069 | 4 | CN .312-18x.200 MAX THK |
| 3 | 604276 | 1 | DECAL, BELT ROUTING |

Comments for Page: Center Service Deck

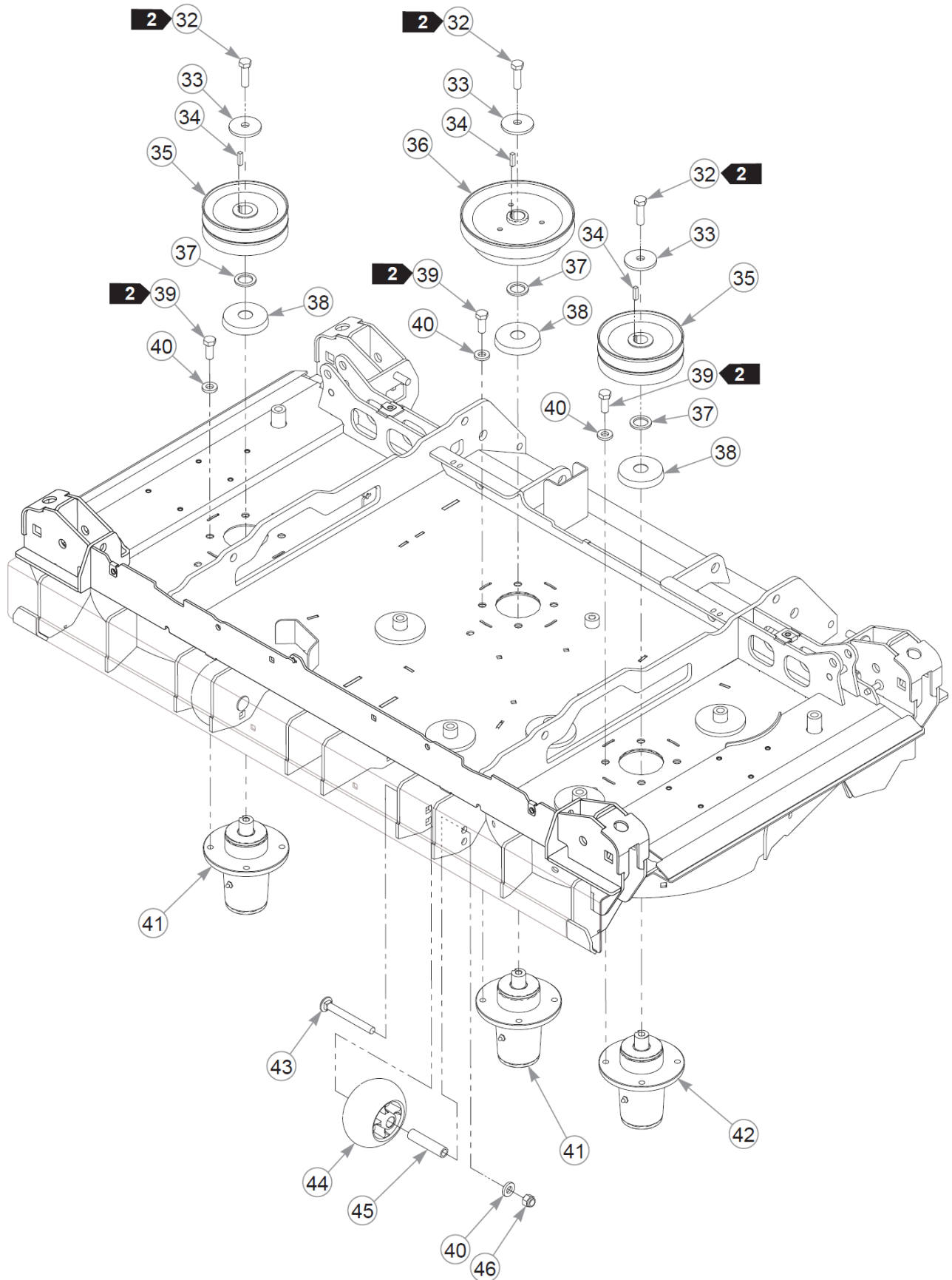
1. The deck includes the decal and hardware.



| Item | Part No. | Qty | Name |
|------|----------|-----|--------------------------|
| 1 | 794446 | 10 | CS .625-11X1.500HXG5 |
| 2 | 028118 | 23 | FW 0.625X1.00X.13 ZN |
| 3 | 603057 | 10 | DUST SHIELD W/OFFSET |
| 4 | 796714 | 3 | PULLEY, 6" HB IDLER RD |
| 5 | 604251 | 4 | NT .312-18 HXNL JAM G2ZN |
| 6 | 768523 | 4 | FW 0.343SAE |
| 7 | 603750 | 2 | IDLER SLIDE, SHORT |
| 8 | 364315 | 1 | CHAIN, 7 LINK |
| 9 | 781302 | 1 | IDLER SPRING |
| 10 | 350884 | 1 | SLIDE, DECK IDLER |
| 11 | 603784 | 2 | IDLER, FLAT 4.0" DEEP |
| 12 | 601619 | 4 | IDLER SLIDE UHMW RT & LT |
| 13 | 117576 | 2 | IDLER SLED W/A, WING |
| 14 | 604086 | 8 | CS .312-18X1.00 FLTSH ZN |
| 15 | 025007 | 1 | CS .62511X1.750HXG5 |
| 16 | 602935 | 1 | DUST SHIELD, IDLER SM |
| 17 | 602821 | 1 | IDLER, 6.0" COMMERCIAL |
| 18 | 606149 | 2 | SB .625 X 2.00 SH.50-13 |
| 19 | 602539 | 2 | BUSHING, .625 I.D. |
| 20 | 125961-4 | 1 | IDLER ARM, DRIVE BELT |
| 21 | 259812 | 1 | CHAIN, 13 LINK |
| 22 | 607616 | 1 | SPRING, DECK IDLER |
| 23 | 606351 | 1 | J-LEG, UHMW, .25" |
| 24 | 041475 | 2 | CS .750-10X9.50 HX G5 ZN |
| 25 | 025296 | 4 | FW .760X1.63X0.08 ZN |
| 26 | 116105 | 2 | DECK PUSHER W/A |
| 27 | 015495 | 2 | GREASE FITTING STRAIGHT |
| 28 | 061101 | 2 | NT .750-10 HX ZN NL GR B |
| 29 | 016253 | 4 | CB .312-18X .750 FUL ZN |
| 30 | 602672 | 3 | PULLEY, V-IDLER HBB 5.0" |
| 31 | 605978 | 2 | PULLEY, SPLIT IDLER |
| 32 | 017616 | 3 | CS .500-13X1.750HXG5 |
| 33 | 752386 | 3 | CW .515X 2.25X .204 BLK |
| 34 | 212472 | 3 | KEY 1/4 SQ X 1.00 LG(FS) |
| 35 | 524785 | 2 | PULLEY, (711499) PTED B |
| 36 | 604036 | 1 | PULLEY, DOUBLE DRIVE |

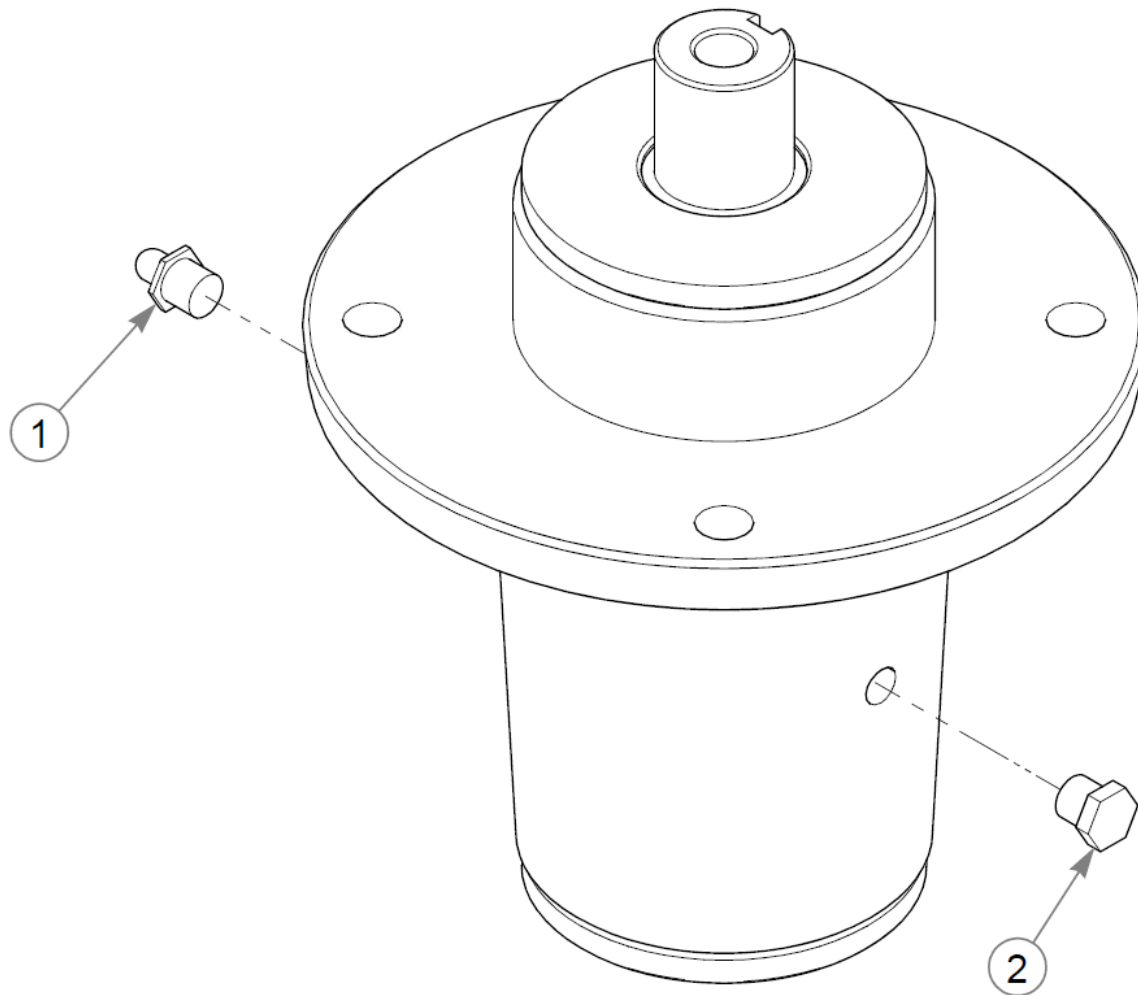


| Item | Part No. | Qty | Name |
|------|----------|-----|--------------------------|
| 37 | 045765 | 3 | FW 1.030X1.50X.13 HD ZN |
| 38 | 607409-4 | 3 | DUST SHIELD |
| 39 | 705954 | 12 | CS .500-13X1.25 HX G5 ZN |
| 40 | 767962 | 17 | FW .531 x 1.063 x .175 |
| 41 | 607407 | 2 | SPINDLE ASSY, DUCTILE |
| 42 | 607408 | 1 | SPINDLE ASSY, DUCTILE |
| 43 | 602339 | 5 | CB .50-13 X 4.50 STD ZN |
| 44 | 602263 | 5 | WHEEL, ANTI-SCALP |
| 45 | 602345 | 5 | SPACER, ANTI-SCALP 3.22 |
| 46 | 781567 | 5 | NT .500-13NLG5 |

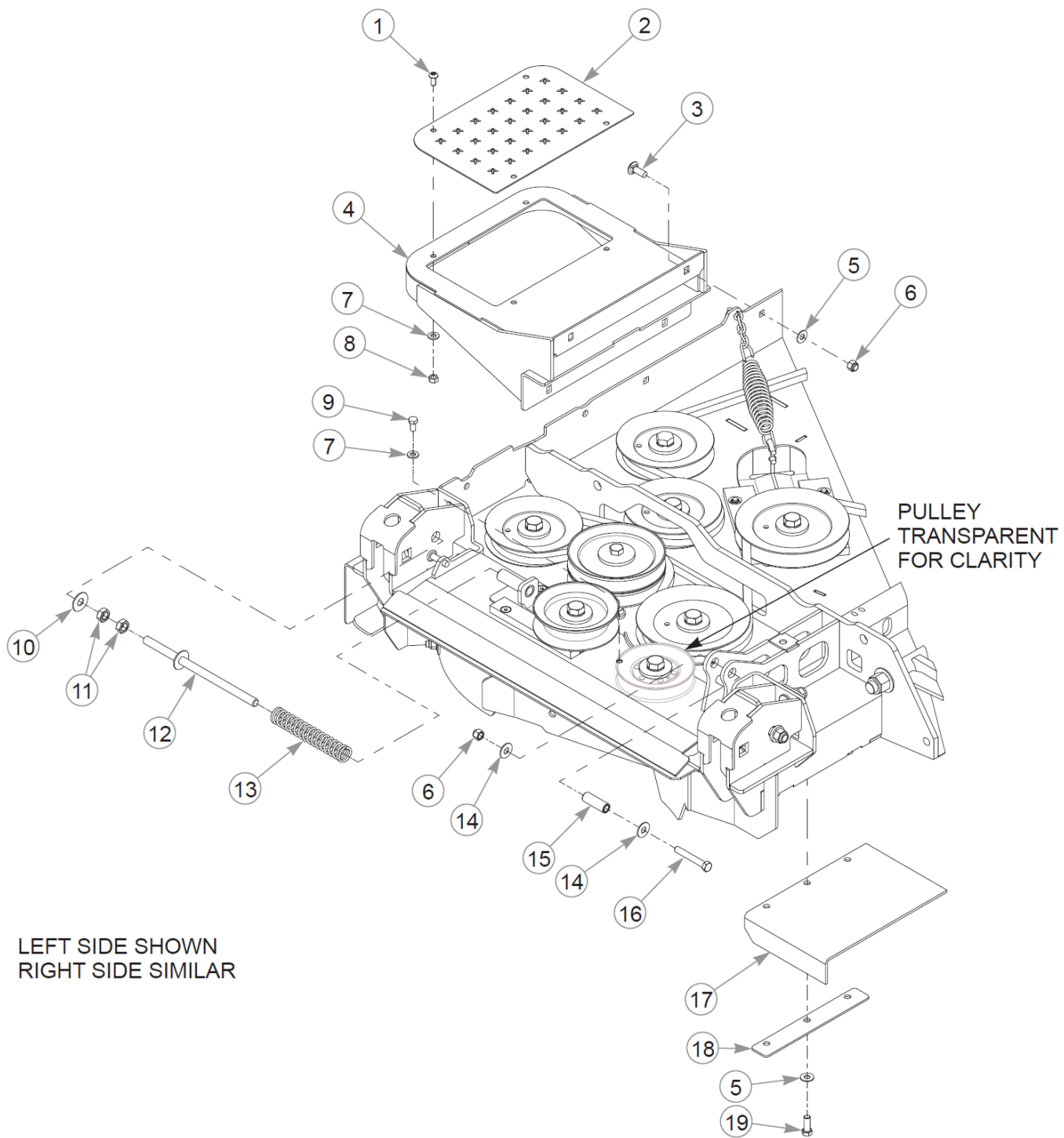


Comments for Page: Center Deck Idlers, Idler Slides, Pulleys & Spindles (Multi-Page)

1. Do not torque; the pusher must rotate freely.
2. Torque to 88–102 N•m.



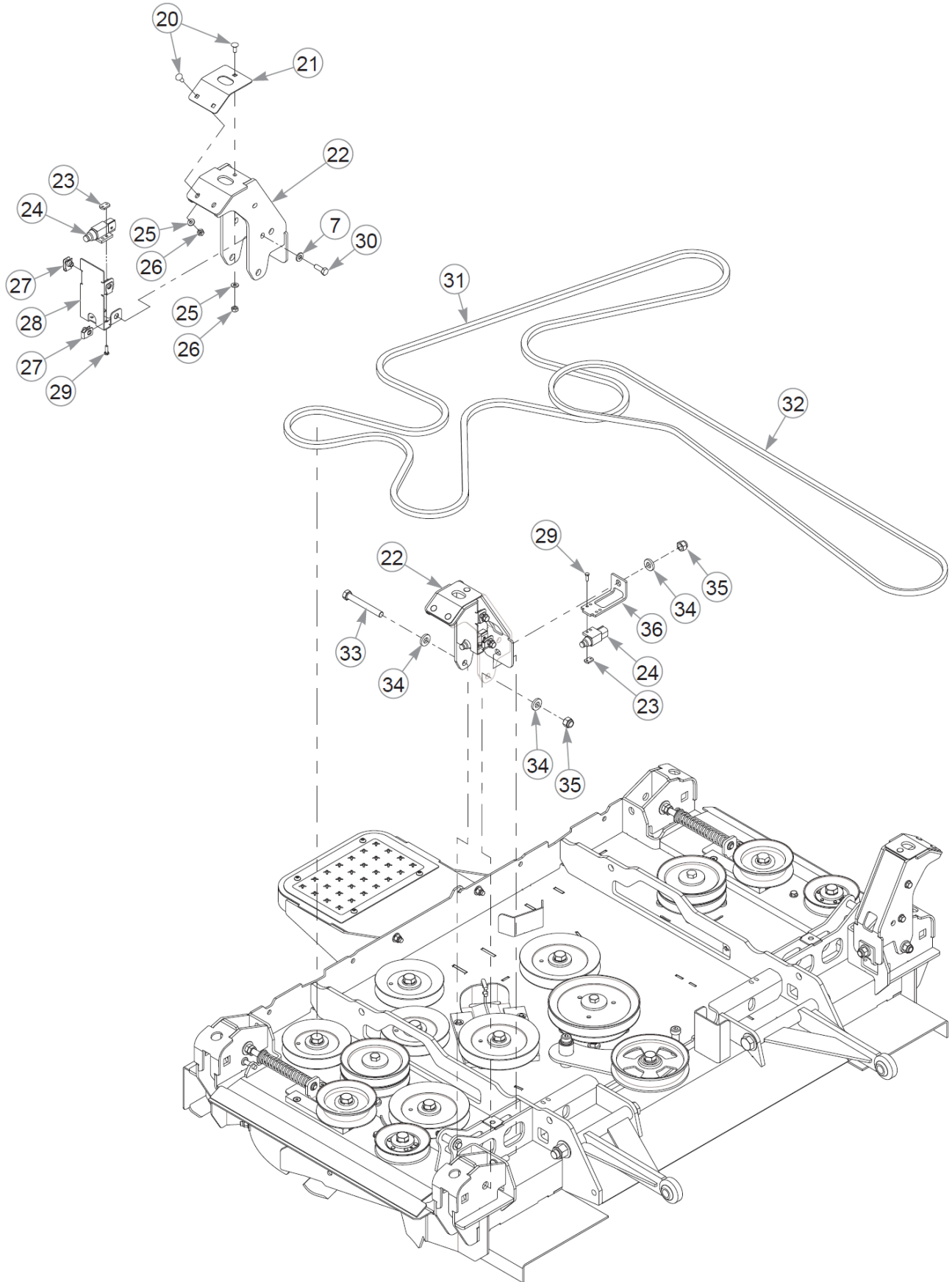
| Item | Part No. | Qty | Name |
|------|----------|-----|----------------|
| 1 | 607477 | 1 | GREASE ZERK |
| 2 | 607478 | 1 | RELIEF FITTING |



Center Deck Belt, Blades & Step (Multi-Page)

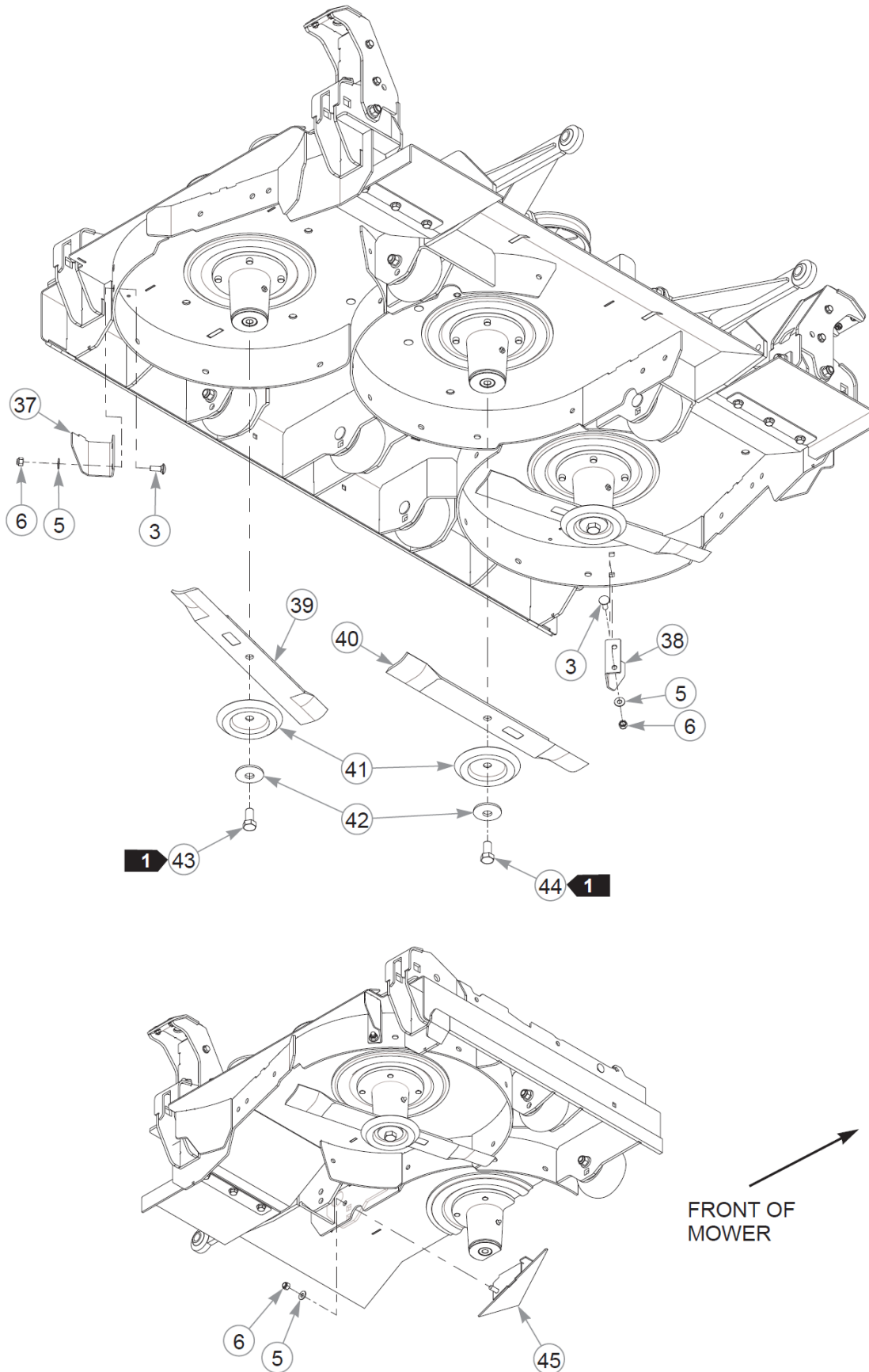
Super 104 Parts Manual - 939652CE - HTSWSR104KAWFX1000VC

| Item | Part No. | Qty | Name |
|------|----------|-----|--------------------------|
| 1 | 603022 | 4 | CS .312-18X.625 BH ZN |
| 2 | 116630 | 1 | PLATE, STAMPED TREAD |
| 3 | 025395 | 8 | CB .375-16X 1.00 G5 ZN |
| 4 | 116625 | 1 | STEP W/A |
| 5 | 767954 | 15 | FW 0.379X.82X.06 HD ZN |
| 6 | 086660 | 11 | NT .375-16NLG8 |
| 7 | 768523 | 14 | FW 0.343SAE |
| 8 | 034272 | 4 | NT .312-18HXG5 |
| 9 | 064006 | 2 | CS .312-18X0.625HXG5 |
| 10 | 704759 | 2 | FW 0.500X1.25X.08 ZN |
| 11 | 053199 | 4 | NT .500-13JAMG5 |
| 12 | 115245 | 2 | ROD W/A, TENSIONER |
| 13 | 603787 | 2 | SPRING, COMPRESSION |
| 14 | 076422 | 4 | FW 0.406X1.00X.06 ZN |
| 15 | 604290 | 2 | SPACER, CYLINDER |
| 16 | 016428 | 2 | CS .375-16X2.500HXG5 |
| 17 | 607681 | 2 | RUBBER FLAP, REAR |
| 18 | 125844-1 | 2 | CLAMP PLATE, REAR FLAP |
| 19 | 036244 | 6 | CS .375-16X1.00 HX G5 ZN |
| 20 | 601503 | 6 | CB .250-20 X .625 ZN |
| 21 | 116613 | 2 | PLATE, LATCH STRIKER |
| 22 | 116575 | 2 | TOWER W/A, LATCH |
| 23 | 601822 | 4 | NUT PLATE, .420 CENTERS |
| 24 | 602538 | 4 | SWITCH PLUNGER, NC/NO |
| 25 | 017079 | 6 | FW .250SAE |
| 26 | 024927 | 6 | NT .250-20HXG5 |
| 27 | 601069 | 8 | CN .312-18x.200 MAX THK |
| 28 | 116632 | 2 | BRKT, LATCH SWITCH |
| 29 | 714998 | 8 | MS#10-24X0.625HX |
| 30 | 064014 | 8 | CS .312-18X0.875HXG5 |
| 31 | 084178 | 1 | DECK BELT |
| 32 | 606334 | 1 | BELT, B SEC 101.25" EL |
| 33 | 089938 | 2 | CS .500-13X4.000HXG5 |
| 34 | 767962 | 6 | FW .531 x 1.063 x .175 |
| 35 | 781567 | 4 | NT .500-13NLG5 |
| 36 | 117890 | 2 | BRACKET, SWITCH MOUNT |



Center Deck Belt, Blades & Step (Multi-Page)

| Item | Part No. | Qty | Name |
|-----------|----------|-----|-------------------------|
| 37 | 116533 | 1 | DEFLECTOR, FRONT LH |
| 38 | 116532 | 1 | DEFLECTOR, FRONT RH |
| 39 | 795633 | 1 | BLADE, F20.50"-L-F-CCW |
| Not Shown | 601928 | 1 | BLADE, 20.5"GAT-F-CCW |
| Not Shown | 604163 | 1 | BLADE, 20.50-MUL-F-CCW |
| 40 | 600901 | 2 | BLADE, F20.50"-L-F-CW |
| Not Shown | 794230 | 2 | BLADE,20.50"GAT-F-CW |
| Not Shown | 794214 | 2 | BLADE,20.50"-MUL-F-CW |
| 41 | 114988 | 3 | SHIELD, BLADE BOLT |
| 42 | 782474 | 3 | CW .678 X 2.250 X .187 |
| 43 | 604383 | 1 | CS .625-11X1.250 G5 LHT |
| 44 | 781872 | 2 | CS .625-11X1.250HXG5 |
| 45 | 125949-1 | 1 | RAMP PNT, DISCHARGE CW |

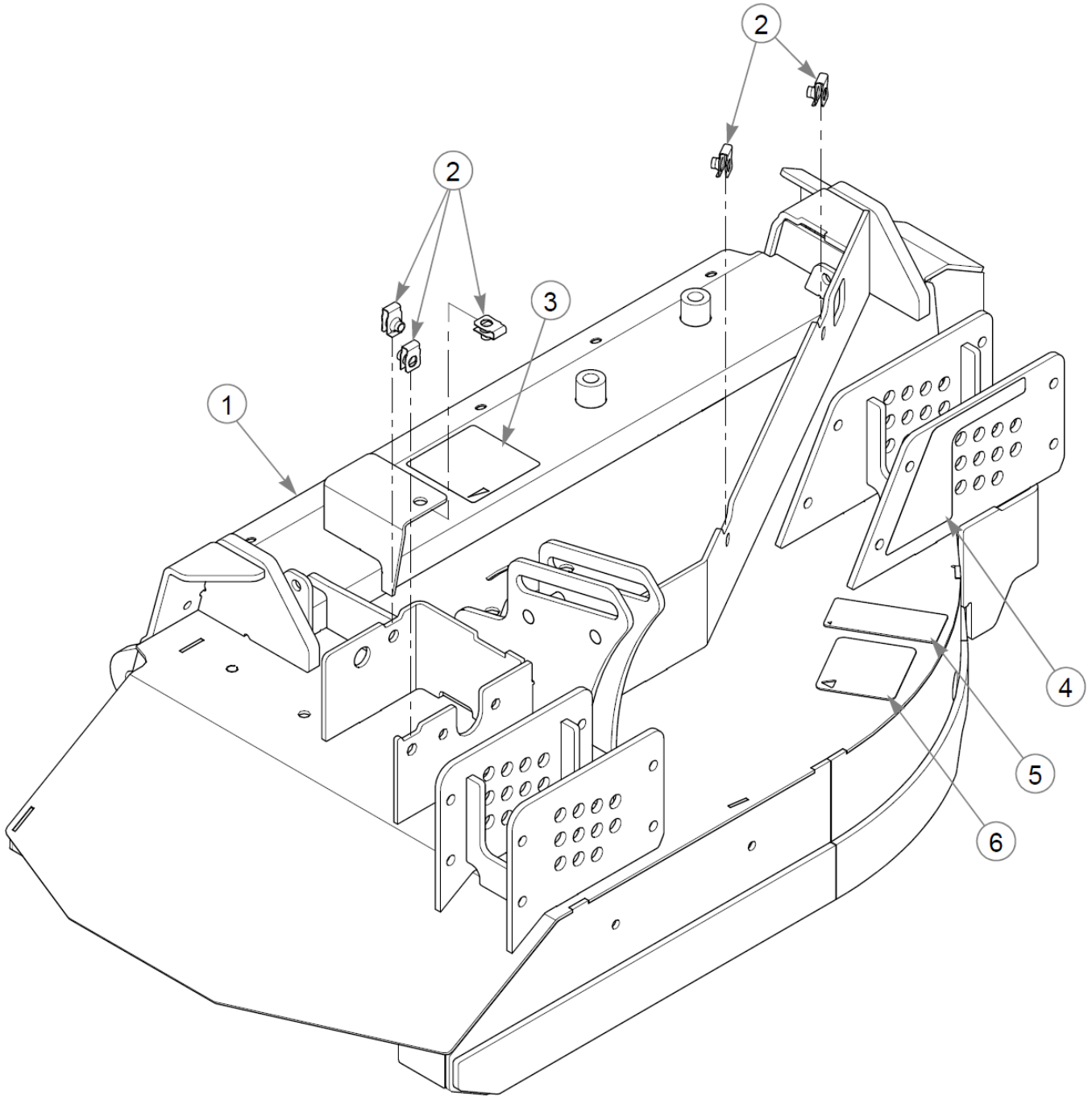


Center Deck Belt, Blades & Step (Multi-Page)

Super 104 Parts Manual - 939652CE - HTSWSR104KAWFX1000VC

Comments for Page: Center Deck Belt, Blades & Step (Multi-Page)

1. Torque to 160 N•m.

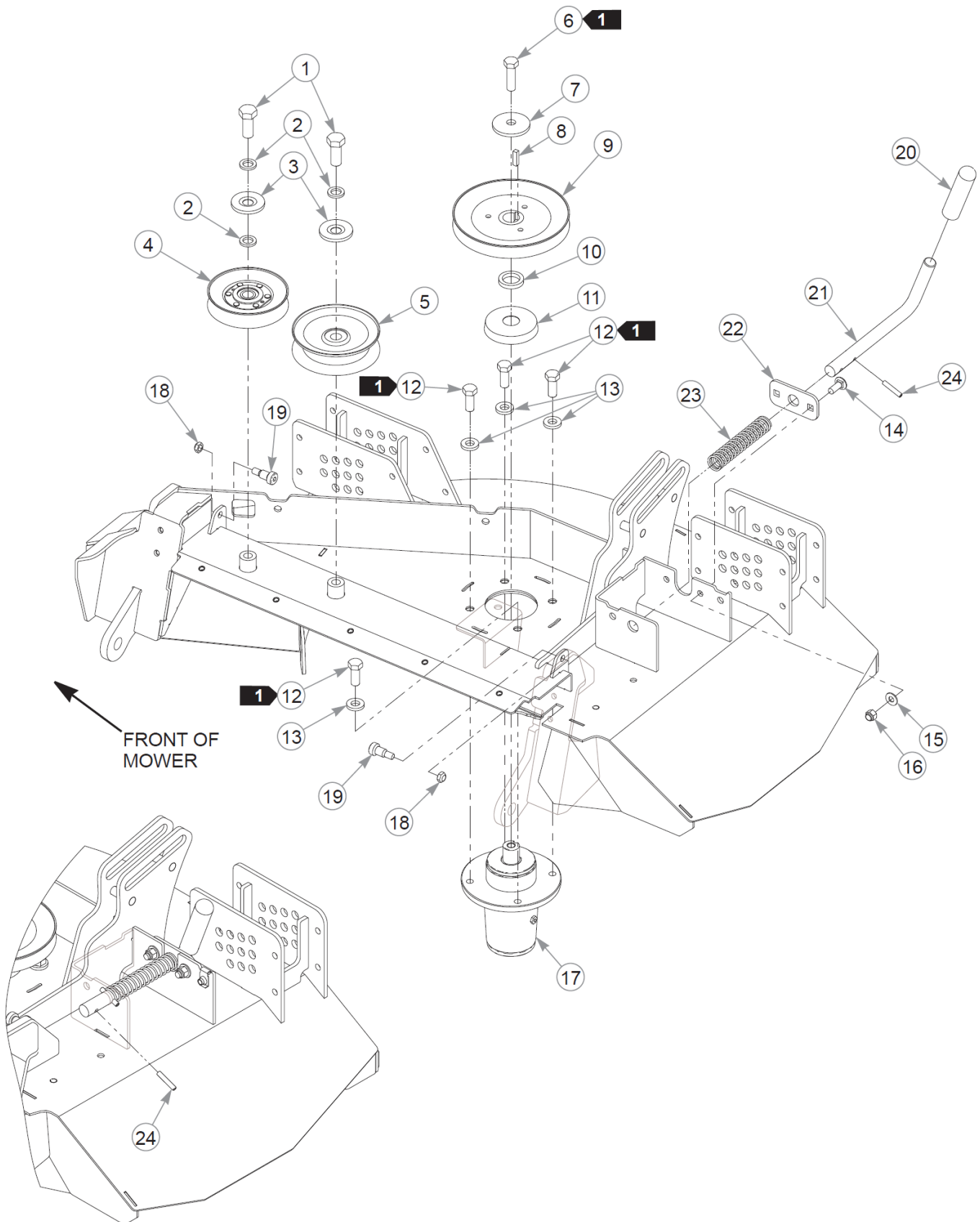


Right Side Service Deck

| Item | Part No. | Qty | Name |
|------|----------|-----|-------------------------|
| 1 | 555428 | 1 | SVC, DECK DECAL |
| 2 | 601069 | 5 | CN .312-18x.200 MAX THK |
| 3 | 604277 | 1 | DECAL, BELT ROUTING |
| 4 | 607721 | 1 | DECAL, WING HEIGHT |
| 5 | 601892 | 1 | DECAL, THROWN OBJECTS |
| 6 | 601837 | 1 | DECAL, DECK DANGERS |

Comments for Page: Right Side Service Deck

1. The deck includes the decals and hardware.

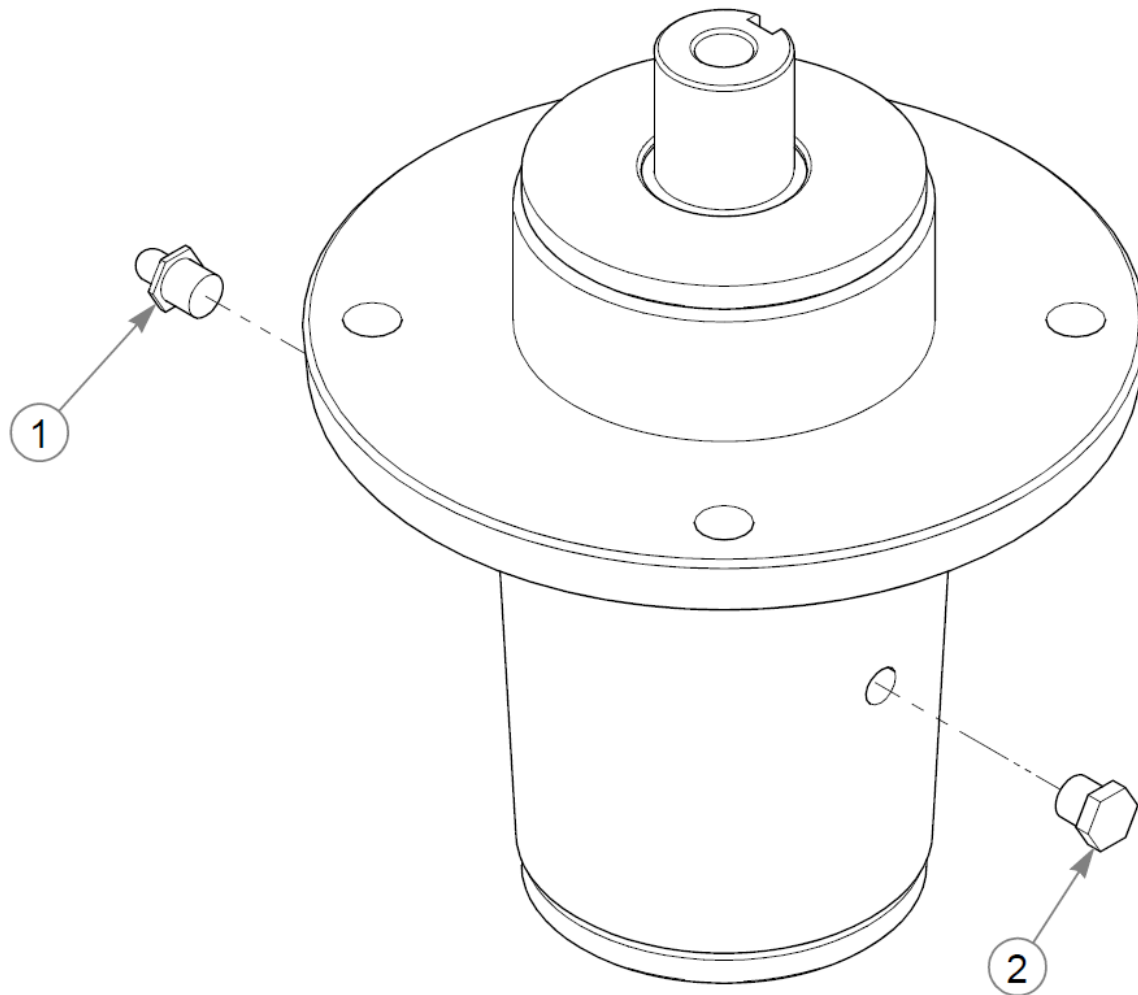


Right Side Deck Pulleys & Spindles

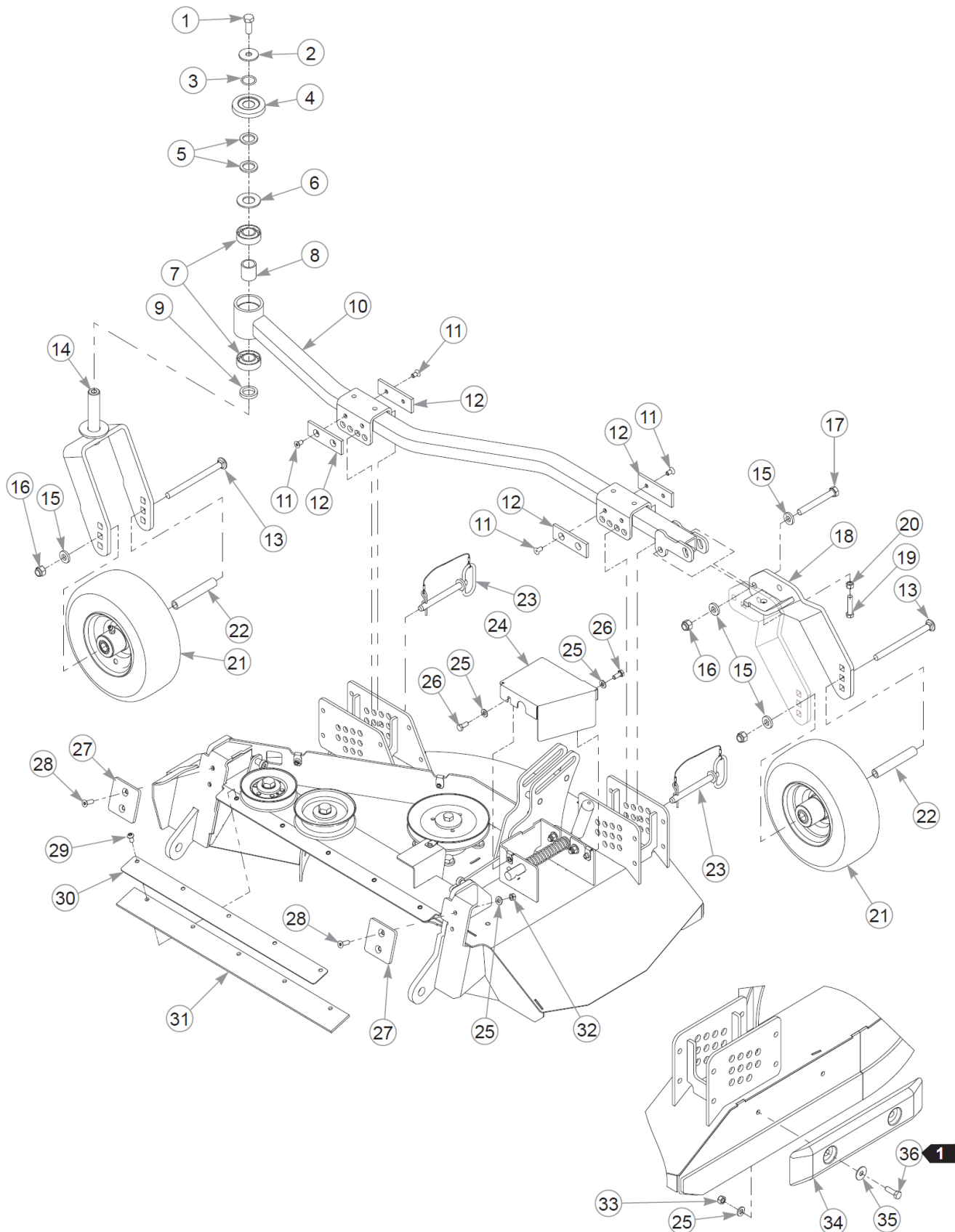
| Item | Part No. | Qty | Name |
|------|----------|-----|--------------------------|
| 1 | 794446 | 2 | CS .625-11X1.500HXG5 |
| 2 | 028118 | 3 | FW 0.625X1.00X.13 ZN |
| 3 | 603057 | 2 | DUST SHIELD W/OFFSET |
| 4 | 605978 | 1 | PULLEY, SPLIT IDLER |
| 5 | 603784 | 1 | IDLER, FLAT 4.0" DEEP |
| 6 | 017616 | 1 | CS .500-13X1.750HXG5 |
| 7 | 752386 | 1 | CW .515X 2.25X .204 BLK |
| 8 | 212472 | 1 | KEY 1/4 SQ X 1.00 LG(FS) |
| 9 | 538850 | 1 | PULLEY, DRIVE(723486) B |
| 10 | 469924 | 1 | GAGE WHEEL SPACER 1/4" |
| 11 | 607409-4 | 1 | DUST SHIELD |
| 12 | 705954 | 4 | CS .500-13X1.25 HX G5 ZN |
| 13 | 767962 | 4 | FW .531 x 1.063 x .175 |
| 14 | 025395 | 2 | CB .375-16X 1.00 G5 ZN |
| 15 | 767954 | 2 | FW 0.379X.82X.06 HD ZN |
| 16 | 086660 | 2 | NT .375-16NLG8 |
| 17 | 607407 | 1 | SPINDLE ASSY, DUCTILE |
| 18 | 603846 | 2 | NT .375-16 HX NL JAM ZN |
| 19 | 060541 | 2 | SB0.500X0.625SH0.375-16 |
| 20 | 603964 | 1 | GRIP, .75X4.00 BLACK |
| 21 | 116573 | 1 | PIN, LATCH |
| 22 | 116574 | 1 | PLATE, LATCH |
| 23 | 603958 | 1 | SPRING, COMPRESSION |
| 24 | 005124 | 2 | RP0.250X1.375 ZN |

Comments for Page: Right Side Deck Pulleys & Spindles

1. Torque to 88-102 N-m.

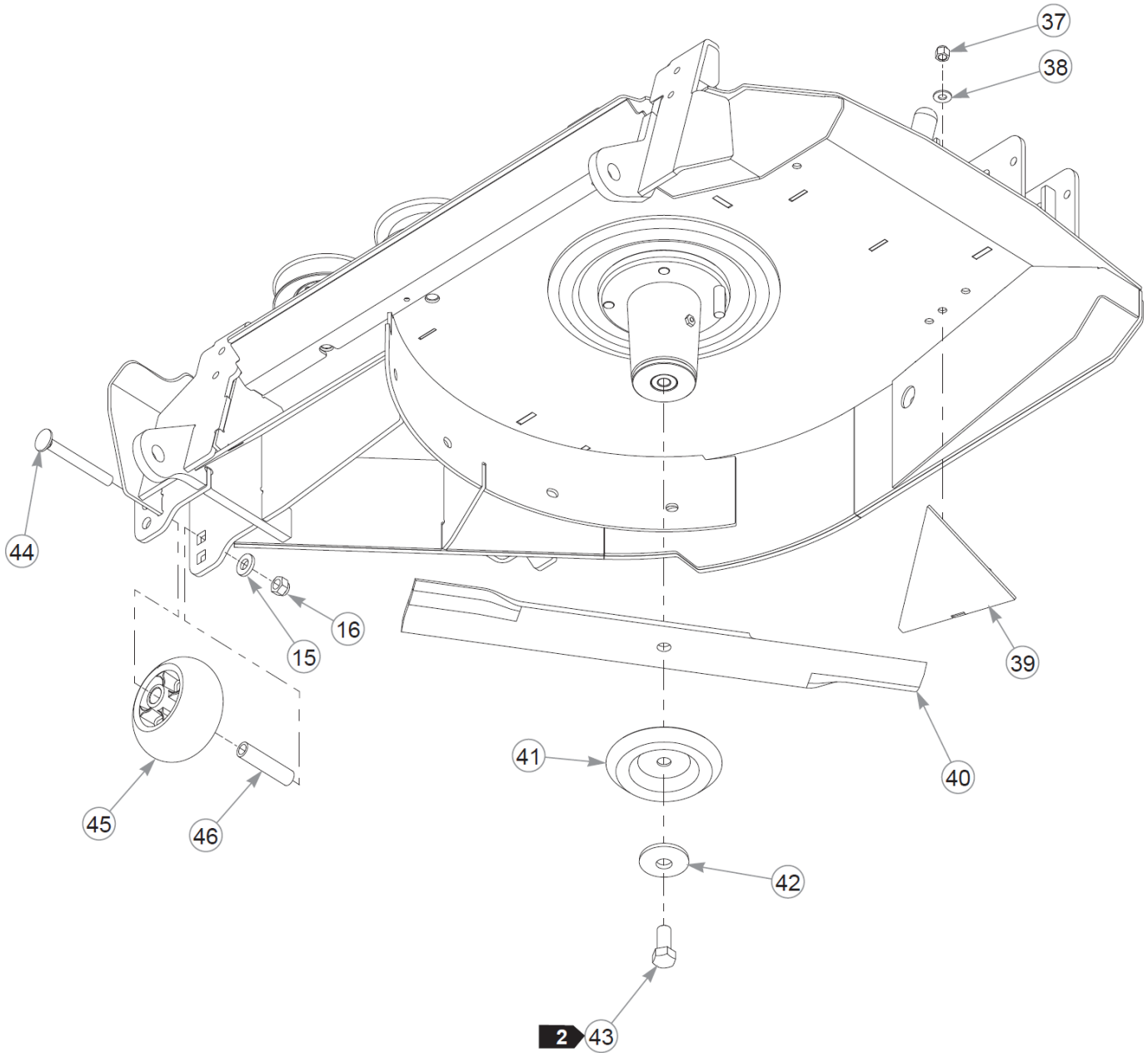


| Item | Part No. | Qty | Name |
|------|----------|-----|----------------|
| 1 | 607477 | 1 | GREASE ZERK |
| 2 | 607478 | 1 | RELIEF FITTING |



Right Side Deck & Blades (Multi-Page)

| Item | Part No. | Qty | Name |
|------|----------|-----|--------------------------|
| 1 | 705954 | 1 | CS .500-13X1.25 HX G5 ZN |
| 2 | 798603 | 1 | FW .515X1.65X.12 HD ZN |
| 3 | 601375 | 1 | O-RING, SAE-14 |
| 4 | 603153 | 1 | DUST CAP, SZ CASTER |
| 5 | 045765 | 2 | FW 1.030X1.50X.13 HD ZN |
| 6 | 603164 | 1 | BEARING DISC, FORK |
| 7 | 784223 | 2 | BEARING |
| 8 | 784603 | 1 | SPACER |
| 9 | 469924 | 1 | GAGE WHEEL SPACER 1/4" |
| 10 | 122120 | 1 | WHEEL TUBE ASSY |
| 11 | 604096 | 8 | CS .312-18X.625 FLTSH ZN |
| 12 | 604095 | 4 | PAD, GAUGE WHEEL |
| 13 | 606381 | 2 | CB .500-13X6.50 STD ZN |
| 14 | 122123 | 1 | FORK W/A, FRONT S104 |
| 15 | 767962 | 7 | FW .531 x 1.063 x .175 |
| 16 | 781567 | 5 | NT .500-13NLG5 |
| 17 | 089938 | 2 | CS .500-13X4.000HXG5 |
| 18 | 122127 | 1 | FORK W/A, GUAGE |
| 19 | 600878 | 1 | CS .375-16X1.75 G5 FULTD |
| 20 | 054502 | 1 | NT .375-16HXG5 |
| 21 | 606113 | 2 | TIR/WHL 11X4.00-5 SLV |
| 22 | 306969 | 2 | GAGE WHEEL SPACER |
| 23 | 604041 | 2 | CE .500X4.0 LANYARD PIN |
| 24 | 116882 | 1 | COVER, LATCH RIGHT |
| 25 | 768523 | 6 | FW 0.343SAE |
| 26 | 034280 | 2 | CS .312-18X0.750HXG5 |
| 27 | 604088 | 2 | STOP PAD, WING |
| 28 | 604086 | 4 | CS .312-18X1.00 FLTSH ZN |
| 29 | 603022 | 5 | CS .312-18X.625 BH ZN |
| 30 | 116614 | 1 | PLATE, FLAP CLAMP |
| 31 | 603855 | 1 | FLAP, WING INTERSECTION |
| 32 | 034272 | 2 | NT .312-18HXG5 |
| 33 | 058776 | 2 | NT .312-18NLG5 |
| 34 | 604183 | 1 | BUMPER, TRIM EDGE FLAT |
| 35 | 079210 | 2 | FW 0.344X1.0X0.06 ZN |
| 36 | 036236 | 2 | CS .312-18X1.000HXG5 |



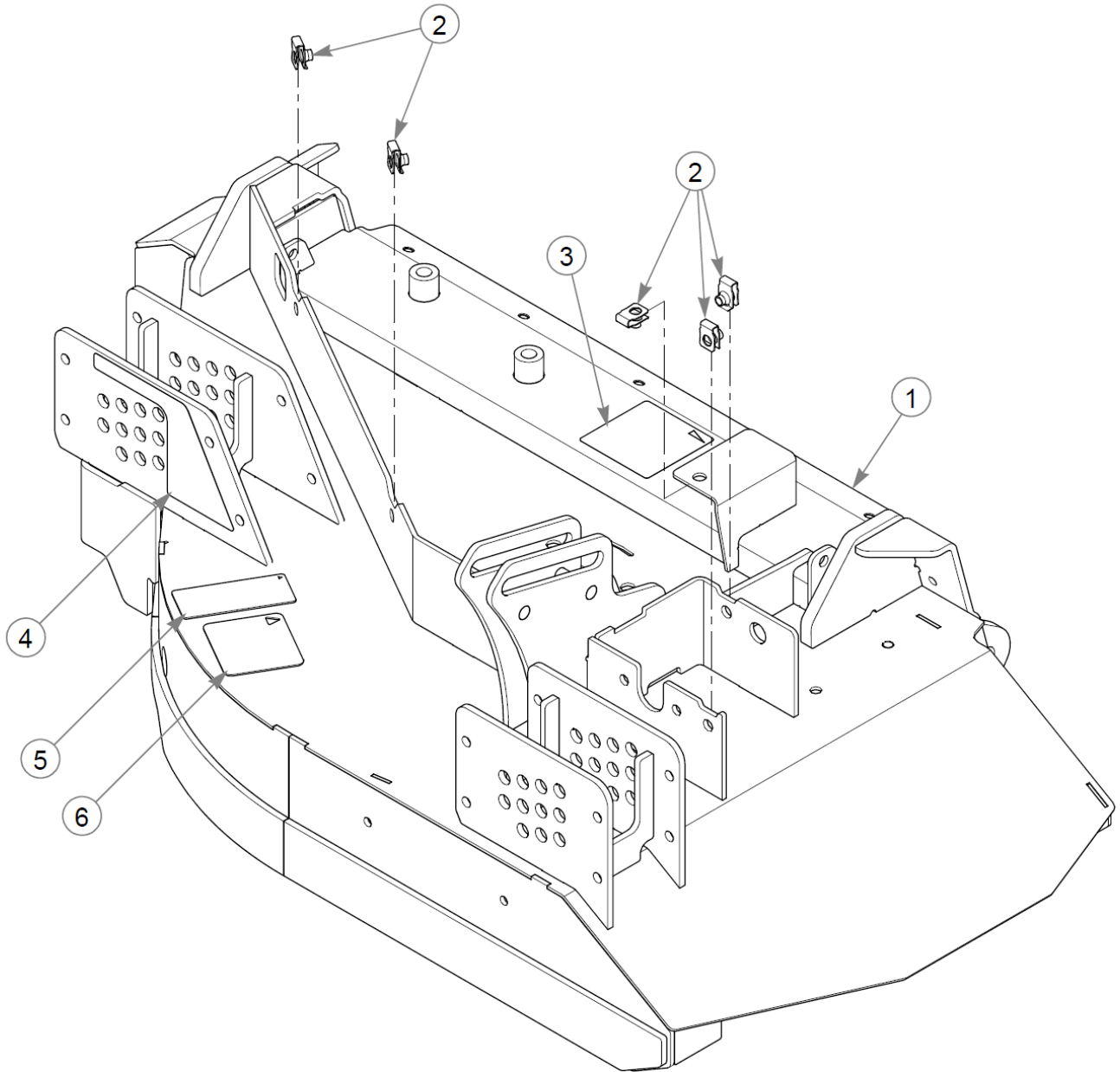
Right Side Deck & Blades (Multi-Page)

Super 104 Parts Manual - 939652CE - HTSWSR104KAWFX1000VC

| Item | Part No. | Qty | Name |
|-----------|----------|-----|-------------------------|
| 37 | 086660 | 1 | NT .375-16NLG8 |
| 38 | 767954 | 1 | FW 0.379X.82X.06 HD ZN |
| 39 | 125951-1 | 1 | RAMP PNT, RH WING |
| 40 | 606393 | 1 | BLADE 23.86" L-F-CW |
| Not Shown | 796839 | 1 | BLADE, F23.86-L-F-CW |
| Not Shown | 794867 | 1 | BLADE, 23.86"-GAT-F-CW |
| Not Shown | 793398 | 1 | BLADE,23.86"-MUL-F-CW |
| 41 | 114988 | 1 | SHIELD, BLADE BOLT |
| 42 | 782474 | 1 | CW .678 X 2.250 X .187 |
| 43 | 781872 | 1 | CS .625-11X1.250HXG5 |
| 44 | 602339 | 1 | CB .50-13 X 4.50 STD ZN |
| 45 | 602263 | 1 | WHEEL, ANTI-SCALP |
| 46 | 602345 | 1 | SPACER, ANTI-SCALP 3.22 |

Comments for Page: Right Side Deck & Blades (Multi-Page)

1. Torque to 14 N•m..
2. Torque to 160 N•m.

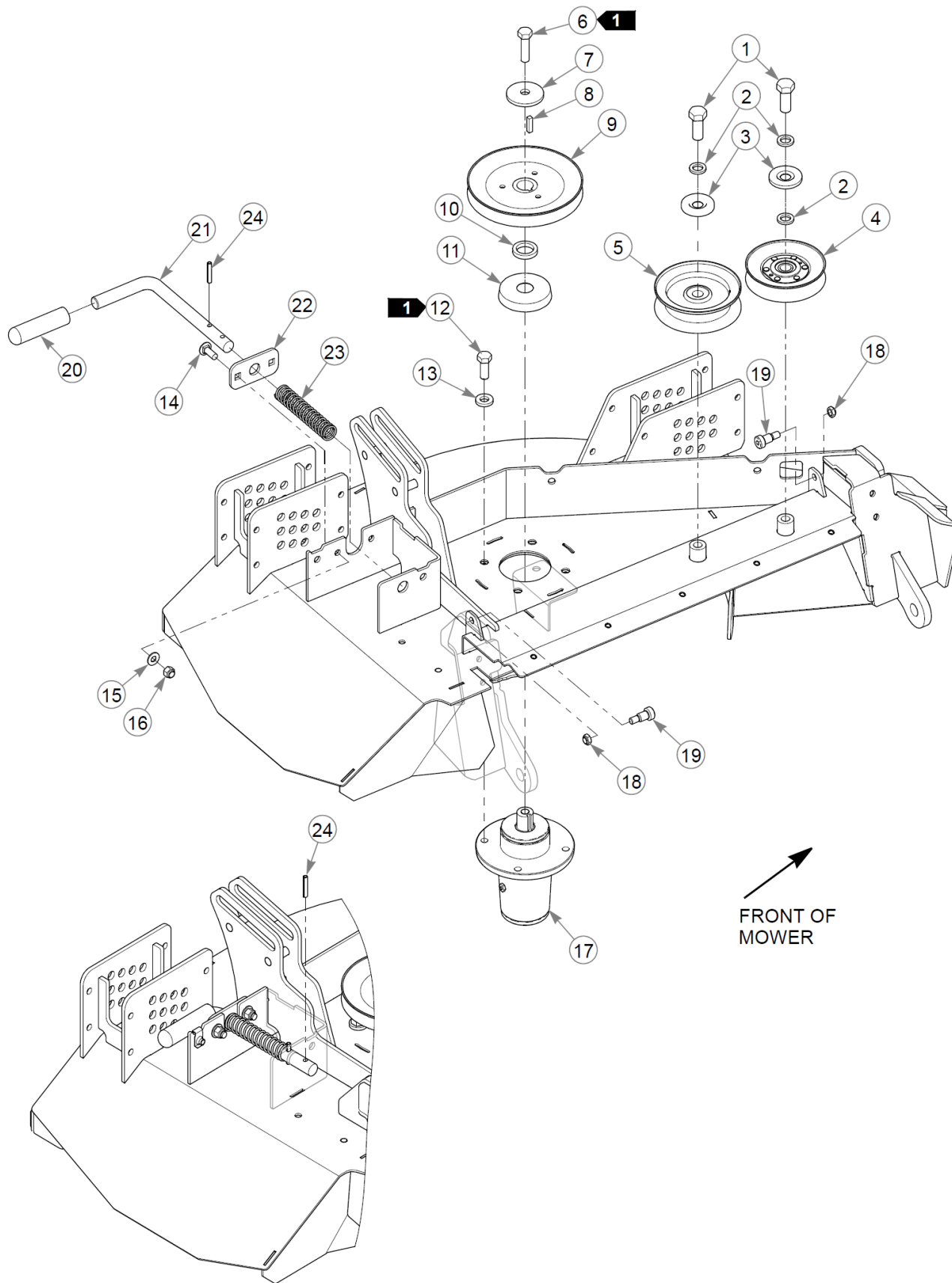


Left Side Service Deck

| Item | Part No. | Qty | Name |
|------|----------|-----|-------------------------|
| 1 | 555429 | 1 | SVC, DECK DECAL |
| 2 | 601069 | 5 | CN .312-18x.200 MAX THK |
| 3 | 604278 | 1 | DECAL, BELT ROUTING |
| 4 | 607722 | 1 | DECAL, WING HEIGHT |
| 5 | 601892 | 1 | DECAL, THROWN OBJECTS |
| 6 | 601837 | 1 | DECAL, DECK DANGERS |

Comments for Page: Left Side Service Deck

1. The deck includes the decals and hardware.



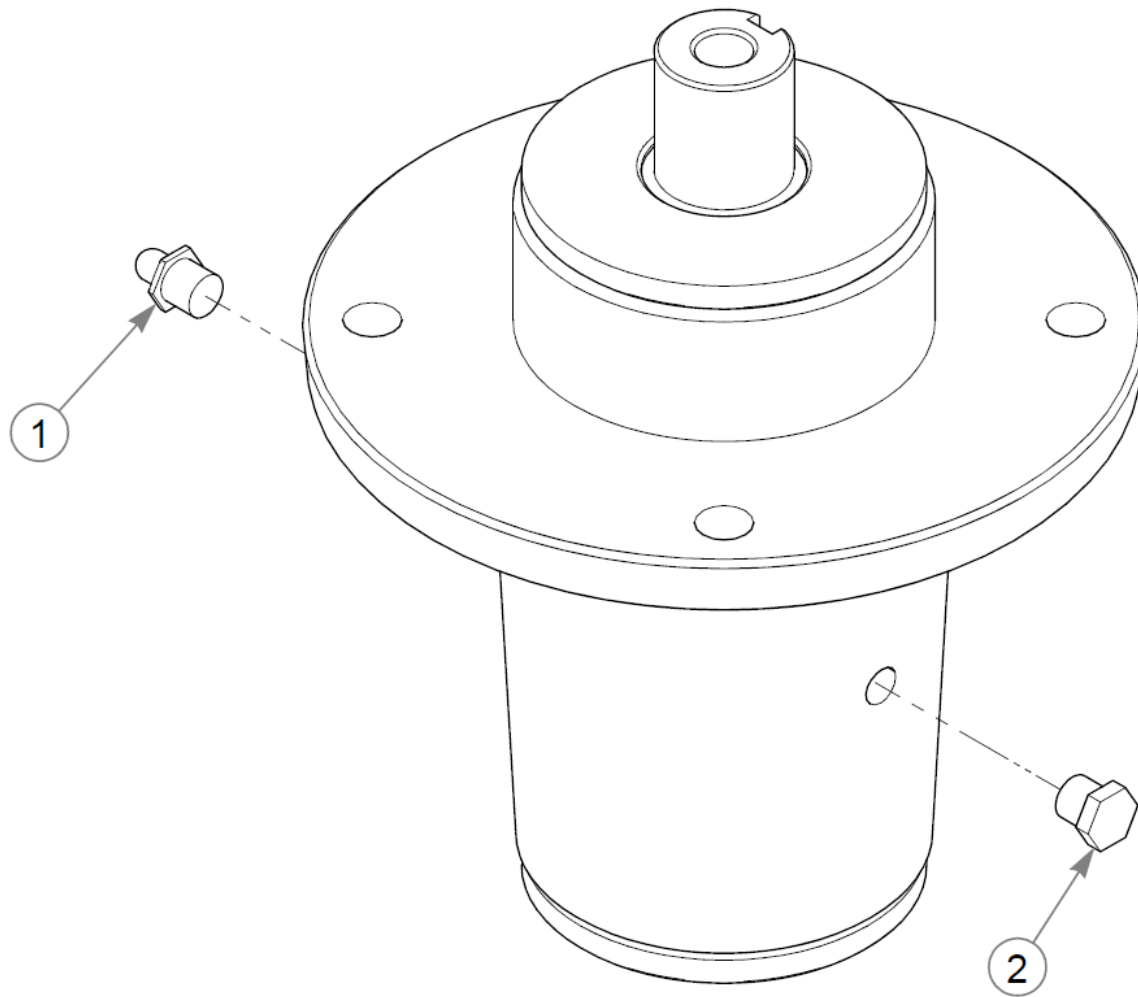
Left Side Deck Pulleys & Spindles

Super 104 Parts Manual - 939652CE - HTSWSR104KAWFX1000VC

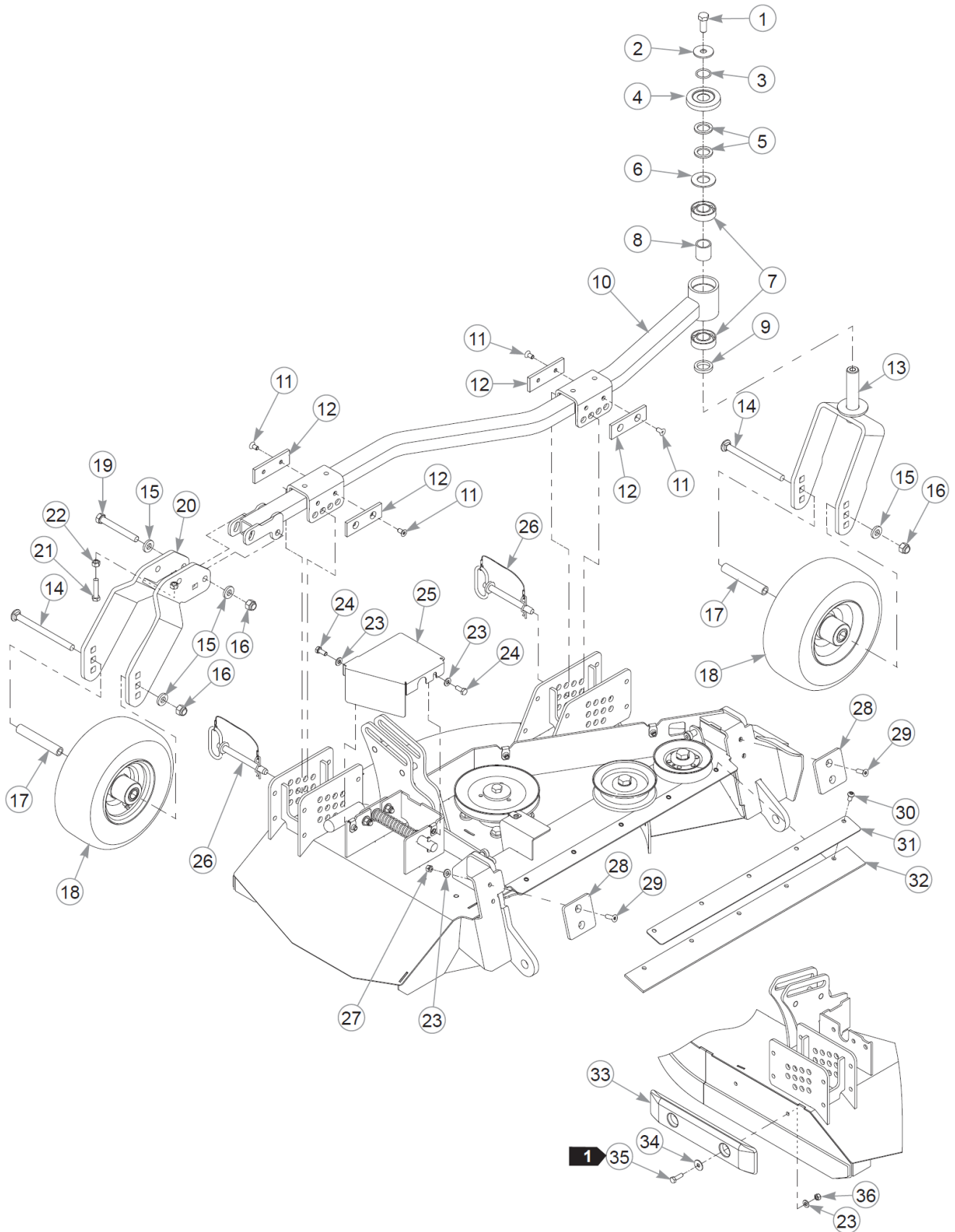
| Item | Part No. | Qty | Name |
|------|----------|-----|--------------------------|
| 1 | 794446 | 2 | CS .625-11X1.500HXG5 |
| 2 | 028118 | 3 | FW 0.625X1.00X.13 ZN |
| 3 | 603057 | 2 | DUST SHIELD W/OFFSET |
| 4 | 605978 | 1 | PULLEY, SPLIT IDLER |
| 5 | 603784 | 1 | IDLER, FLAT 4.0" DEEP |
| 6 | 017616 | 1 | CS .500-13X1.750HXG5 |
| 7 | 752386 | 1 | CW .515X 2.25X .204 BLK |
| 8 | 212472 | 1 | KEY 1/4 SQ X 1.00 LG(FS) |
| 9 | 538850 | 1 | PULLEY, DRIVE(723486) B |
| 10 | 469924 | 1 | GAGE WHEEL SPACER 1/4" |
| 11 | 607409-4 | 1 | DUST SHIELD |
| 12 | 705954 | 4 | CS .500-13X1.25 HX G5 ZN |
| 13 | 767962 | 4 | FW .531 x 1.063 x .175 |
| 14 | 025395 | 2 | CB .375-16X 1.00 G5 ZN |
| 15 | 767954 | 2 | FW 0.379X.82X.06 HD ZN |
| 16 | 086660 | 2 | NT .375-16NLG8 |
| 17 | 607408 | 1 | SPINDLE ASSY, DUCTILE |
| 18 | 603846 | 2 | NT .375-16 HX NL JAM ZN |
| 19 | 060541 | 2 | SB0.500X0.625SH0.375-16 |
| 20 | 603964 | 1 | GRIP, .75X4.00 BLACK |
| 21 | 116573 | 1 | PIN, LATCH |
| 22 | 116574 | 1 | PLATE, LATCH |
| 23 | 603958 | 1 | SPRING, COMPRESSION |
| 24 | 005124 | 2 | RP0.250X1.375 ZN |

Comments for Page: Left Side Deck Pulleys & Spindles

1. Torque to 88-102 N-m.

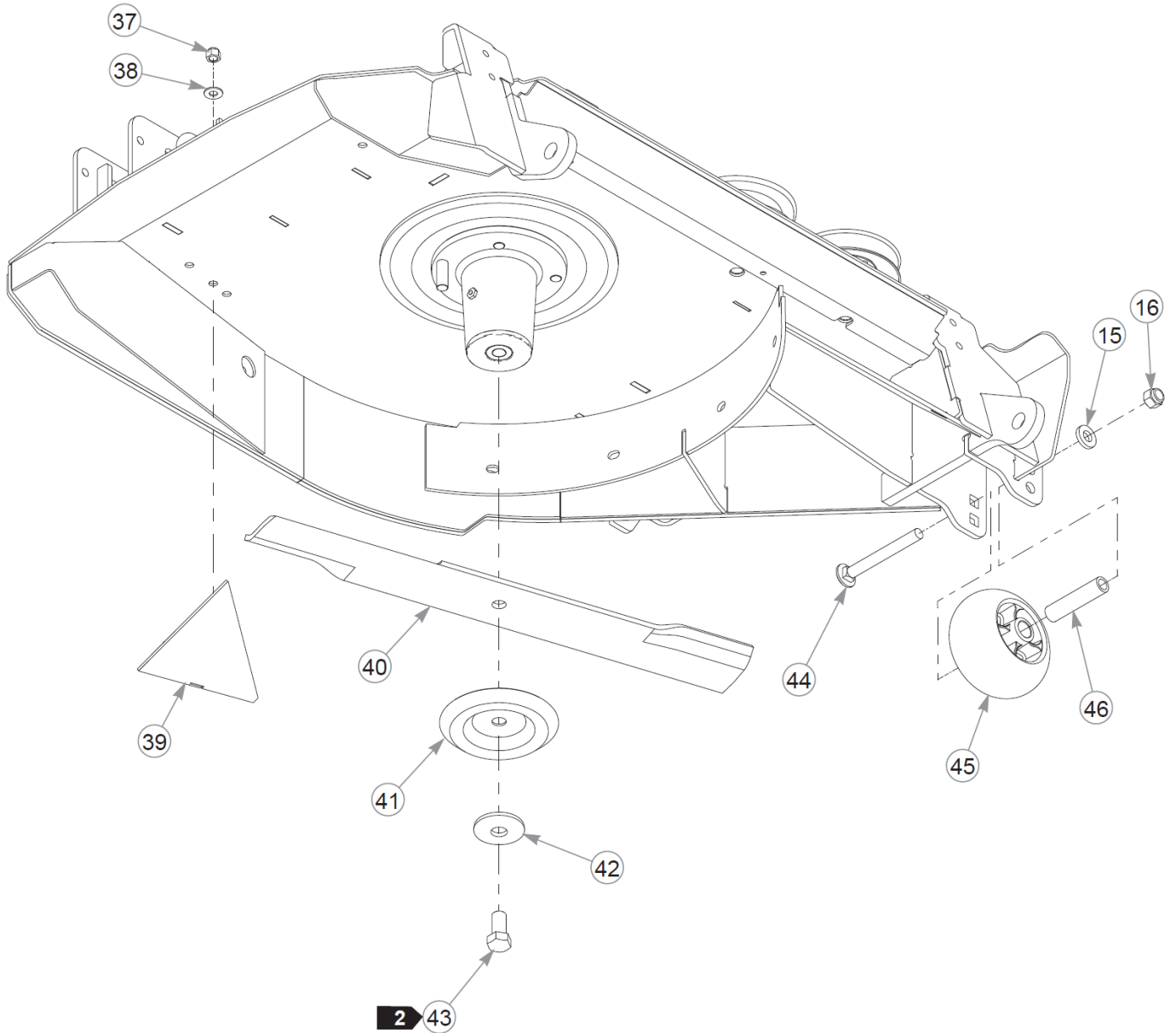


| Item | Part No. | Qty | Name |
|------|----------|-----|----------------|
| 1 | 607477 | 1 | GREASE ZERK |
| 2 | 607478 | 1 | RELIEF FITTING |



Left Side Deck & Blades (Multi-Page)

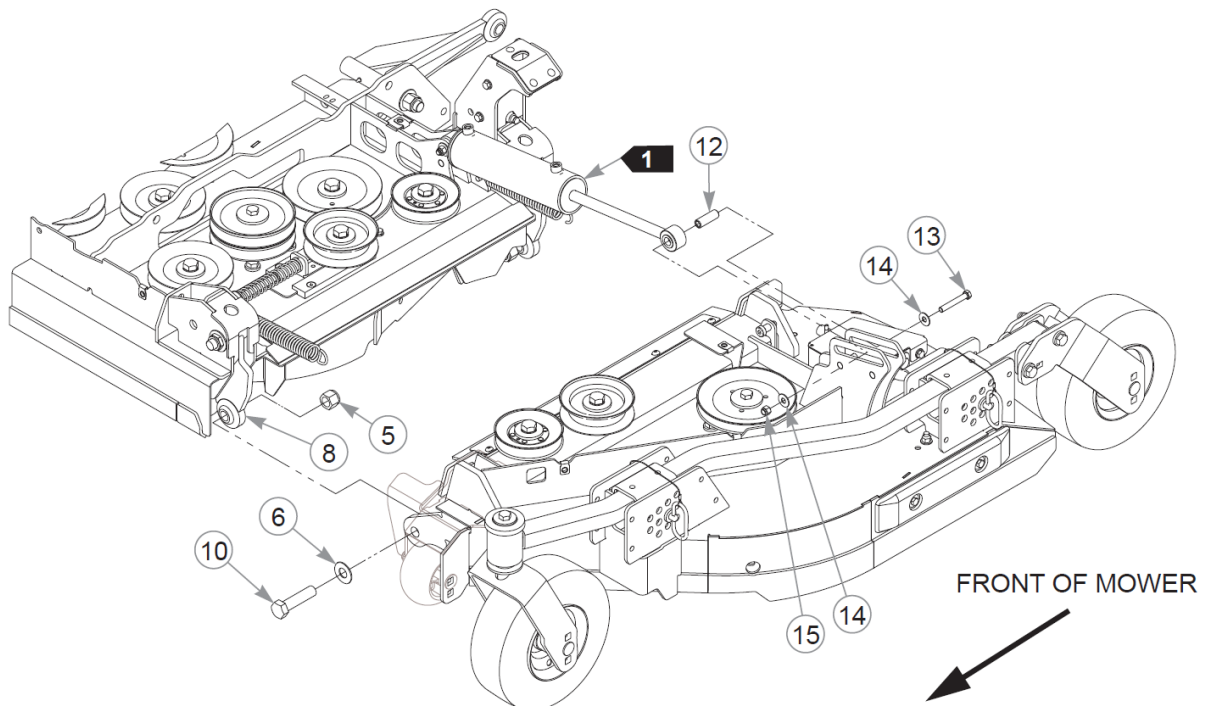
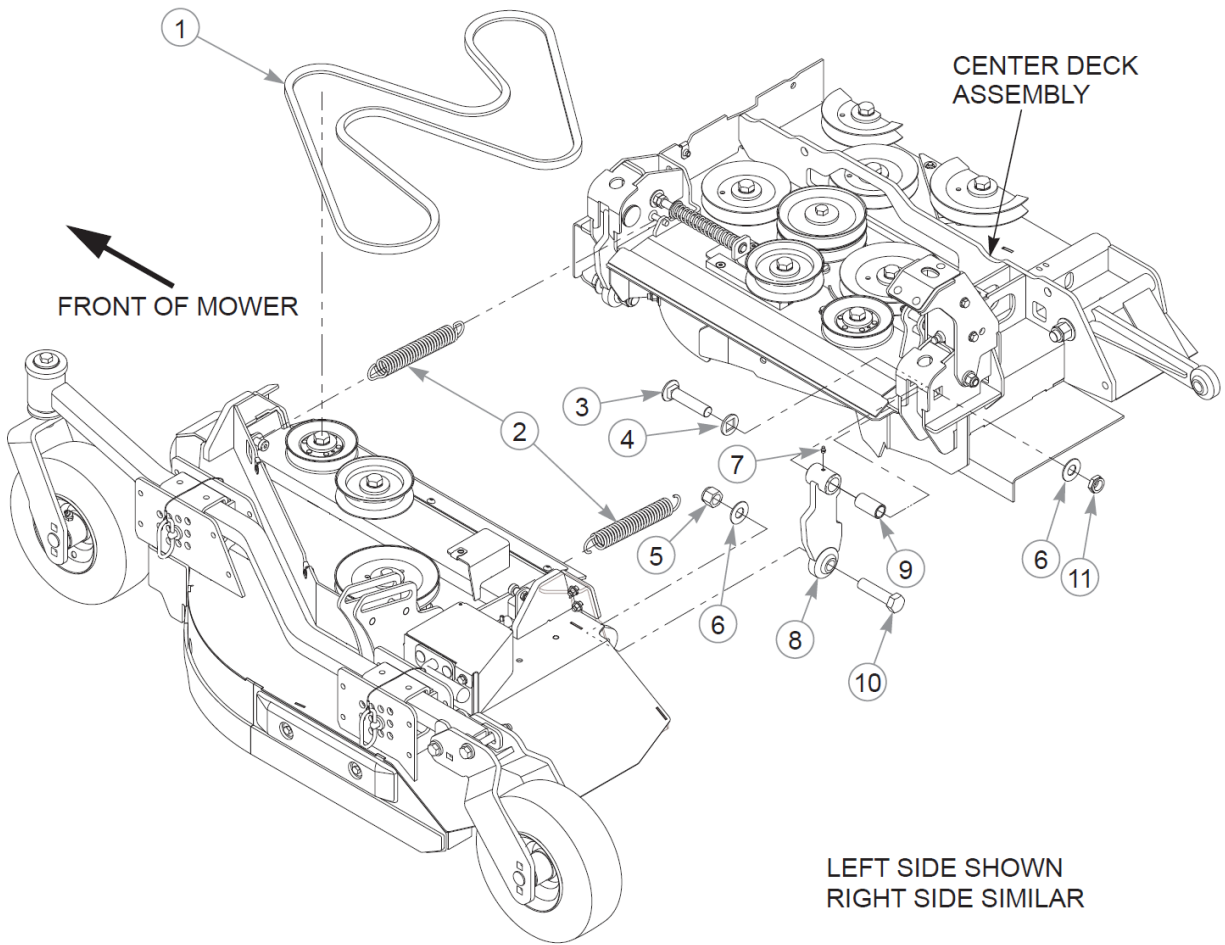
| Item | Part No. | Qty | Name |
|------|----------|-----|--------------------------|
| 1 | 705954 | 1 | CS .500-13X1.25 HX G5 ZN |
| 2 | 798603 | 1 | FW .515X1.65X.12 HD ZN |
| 3 | 601375 | 1 | O-RING, SAE-14 |
| 4 | 603153 | 1 | DUST CAP, SZ CASTER |
| 5 | 045765 | 2 | FW 1.030X1.50X.13 HD ZN |
| 6 | 603164 | 1 | BEARING DISC, FORK |
| 7 | 784223 | 2 | BEARING |
| 8 | 784603 | 1 | SPACER |
| 9 | 469924 | 1 | GAGE WHEEL SPACER 1/4" |
| 10 | 122121 | 1 | WHEEL TUBE ASSY |
| 11 | 604096 | 8 | CS .312-18X.625 FLTSH ZN |
| 12 | 604095 | 4 | PAD, GAUGE WHEEL |
| 13 | 122123 | 1 | FORK W/A, FRONT S104 |
| 14 | 606381 | 2 | CB .500-13X6.50 STD ZN |
| 15 | 767962 | 7 | FW .531 x 1.063 x .175 |
| 16 | 781567 | 5 | NT .500-13NLG5 |
| 17 | 306969 | 2 | GAGE WHEEL SPACER |
| 18 | 606113 | 2 | TIR/WHL 11X4.00-5 SLV |
| 19 | 089938 | 2 | CS .500-13X4.000HXG5 |
| 20 | 122127 | 1 | FORK W/A, GUAGE |
| 21 | 600878 | 1 | CS .375-16X1.75 G5 FULTD |
| 22 | 054502 | 1 | NT .375-16HXG5 |
| 23 | 768523 | 6 | FW 0.343SAE |
| 24 | 034280 | 2 | CS .312-18X0.750HXG5 |
| 25 | 116883 | 1 | COVER, LATCH LEFT |
| 26 | 604041 | 2 | CE .500X4.0 LANYARD PIN |
| 27 | 034272 | 2 | NT .312-18HXG5 |
| 28 | 604088 | 2 | STOP PAD, WING |
| 29 | 604086 | 4 | CS .312-18X1.00 FLTSH ZN |
| 30 | 603022 | 5 | CS .312-18X.625 BH ZN |
| 31 | 116614 | 1 | PLATE, FLAP CLAMP |
| 32 | 603855 | 1 | FLAP, WING INTERSECTION |
| 33 | 604183 | 1 | BUMPER, TRIM EDGE FLAT |
| 34 | 079210 | 2 | FW 0.344X1.0X0.06 ZN |
| 35 | 036236 | 2 | CS .312-18X1.000HXG5 |
| 36 | 058776 | 2 | NT .312-18NLG5 |



| Item | Part No. | Qty | Name |
|-----------|----------|-----|-------------------------|
| 37 | 086660 | 1 | NT .375-16NLG8 |
| 38 | 767954 | 1 | FW 0.379X.82X.06 HD ZN |
| 39 | 125953-1 | 1 | RAMP PNT, LH WING |
| 40 | 606392 | 1 | BLADE, 23.86" L-F-CCW |
| Not Shown | 796508 | 1 | BLADE, F23.86-L-F-CCW |
| Not Shown | 601929 | 1 | BLADE, 23.86" GAT-F-CCW |
| Not Shown | 604164 | 1 | BLADE, 23.86"-MUL-F-CCW |
| 41 | 114988 | 1 | SHIELD, BLADE BOLT |
| 42 | 782474 | 1 | CW .678 X 2.250 X .187 |
| 43 | 604383 | 1 | CS .625-11X1.250 G5 LHT |
| 44 | 602339 | 1 | CB .50-13 X 4.50 STD ZN |
| 45 | 602263 | 1 | WHEEL, ANTI-SCALP |
| 46 | 602345 | 1 | SPACER, ANTI-SCALP 3.22 |

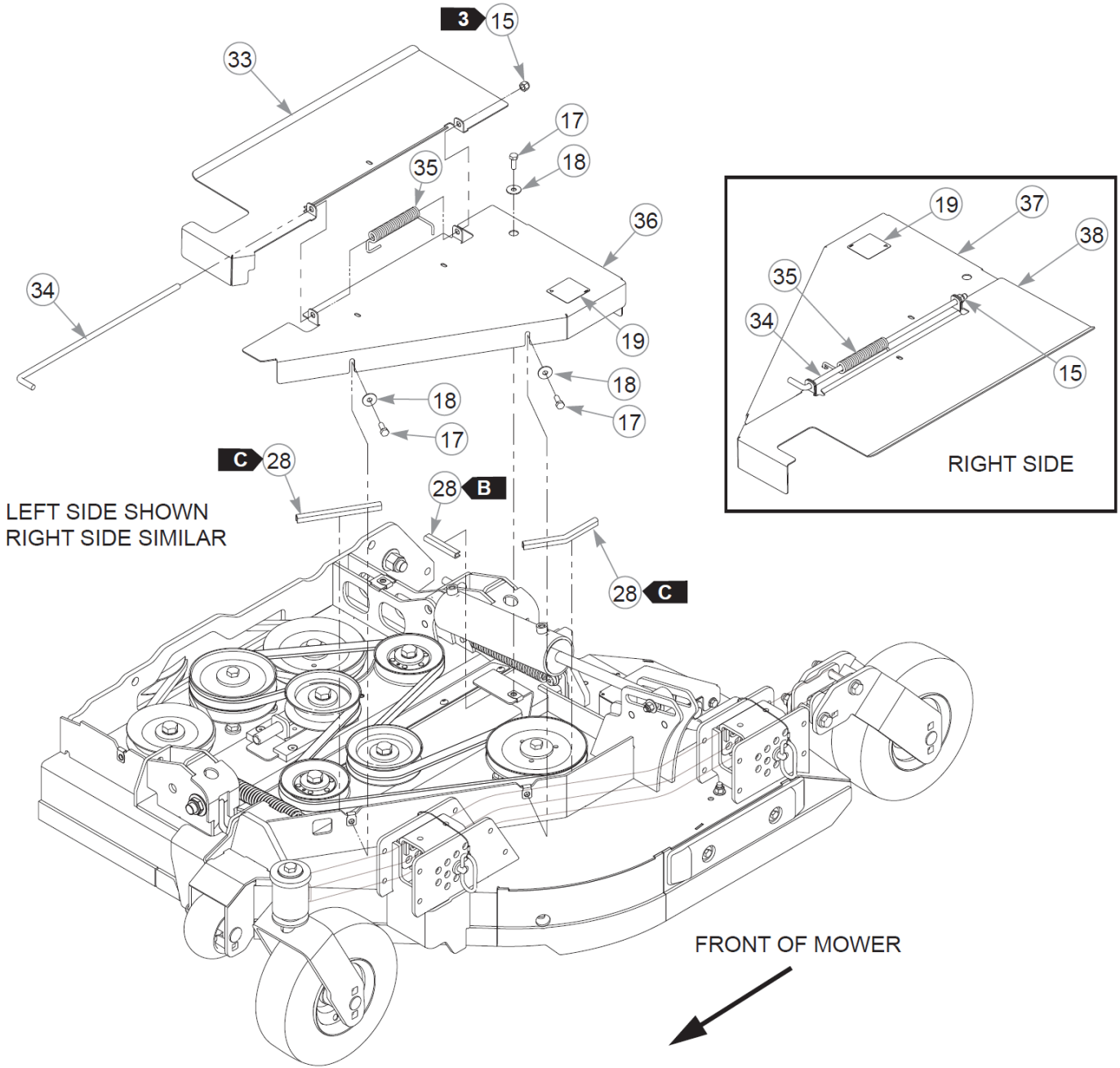
Comments for Page: Left Side Deck & Blades (Multi-Page)

1. Torque to 14 N•m..
2. Torque to 160 N•m..



| Item | Part No. | Qty | Name |
|------|----------|-------|--------------------------|
| 1 | 603885 | 2 | DECK BELT |
| 2 | 603966 | 4 | SPRING, TENSION1.25X6.00 |
| 3 | 603953 | 4 | CB .750-10X3.500 G5 ZN |
| 4 | 606199 | 4 | FW SQ 0.781X1.50X.13 ZN |
| 5 | 061101 | 4 | NT .750-10 HX ZN NL GR B |
| 6 | 025296 | 8 | FW .760X1.63X0.08 ZN |
| 7 | 015495 | 4 | GREASE FITTING STRAIGHT |
| 8 | 116555 | 4 | LINK W/A, WING PIVOT |
| 9 | 116558 | 4 | BUSHING, PIVOT LINK |
| 10 | 051169 | 4 | CS .750-10X3.000HXG5 |
| 11 | 604495 | 4 | NT .750-10 NL JAM |
| 12 | 604290 | 2 | SPACER, CYLINDER |
| 13 | 016428 | 2 | CS .375-16X2.500HXG5 |
| 14 | 076422 | 4 | FW 0.406X1.00X.06 ZN |
| 15 | 086660 | 4 | NT .375-16NLG8 |
| 16 | 555423 | 1 | SVC, C GIARD DECAL |
| 17 | 064014 | 14 | CS .312-18X0.875HXG5 |
| 18 | 079210 | 16 | FW 0.344X1.0X0.06 ZN |
| 19 | 602562 | 7 | DECAL, NO SERVICE |
| 20 | 016253 | 2 | CB .312-18X .750 FUL ZN |
| 21 | 126150-1 | 1 | CE GUARD, EXTENSION PNT |
| 22 | 768523 | 10 | FW 0.343SAE |
| 23 | 058776 | 12 | NT .312-18NLG5 |
| 24 | 126151-1 | 1 | CE GUARD, L SKIRT PNT |
| 25 | 604086 | 8 | CS .312-18X1.00 FLTSH ZN |
| 26 | 604028 | 4 | SLIDE, PULLEY COVER |
| 27 | 555420 | 1 | SVC, L COVER DECAL |
| 28 | 033001 | 86 cm | FLEXIBLE TRIM UNI-GRIP |
| 29 | 555419 | 1 | SVC, R COVER DECAL |
| 30 | 126152-1 | 1 | CE GUARD, R SKIRT PNT |
| 31 | 555421 | 2 | SVC, GUARD DECAL |
| 32 | 601069 | 2 | CN .312-18x.200 MAX THK |
| 33 | 116601 | 1 | COVER, LH WING INT |
| 34 | 602432 | 2 | PIN, CHUTE |
| 35 | 602435 | 2 | SPRING, TORSION |
| 36 | 555418 | 1 | SVC, L WING COVER DECAL |

| Item | Part No. | Qty | Name |
|------|----------|-----|-------------------------|
| 37 | 555417 | 1 | SVC, R WING COVER DECAL |
| 38 | 116600 | 1 | COVER, RH WING INT |



Comments for Page: Center Deck to Wing Deck - Assembly, Belt & Covers (Multi-Page)

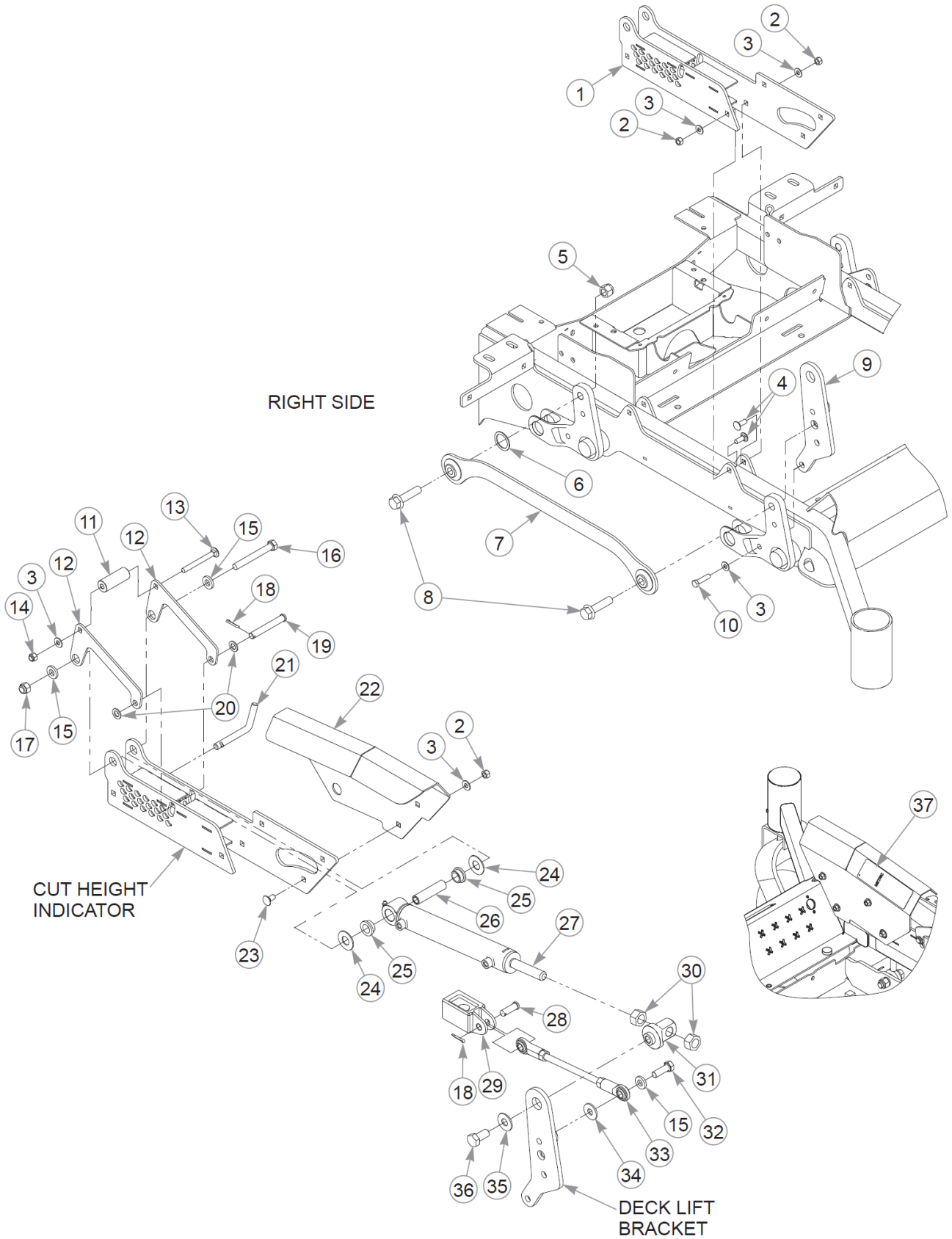
1. Part of the Hydraulic Assembly.
2. Part of the Deck Pulley Assembly.
3. Do not torque; the cover must pivot freely.
4. The center guard, LS & RS pulley covers, rear deck guards, and wing pulley covers include the decals.

TRIM LENGTHS

A: 2.5 cm

B: 8 cm

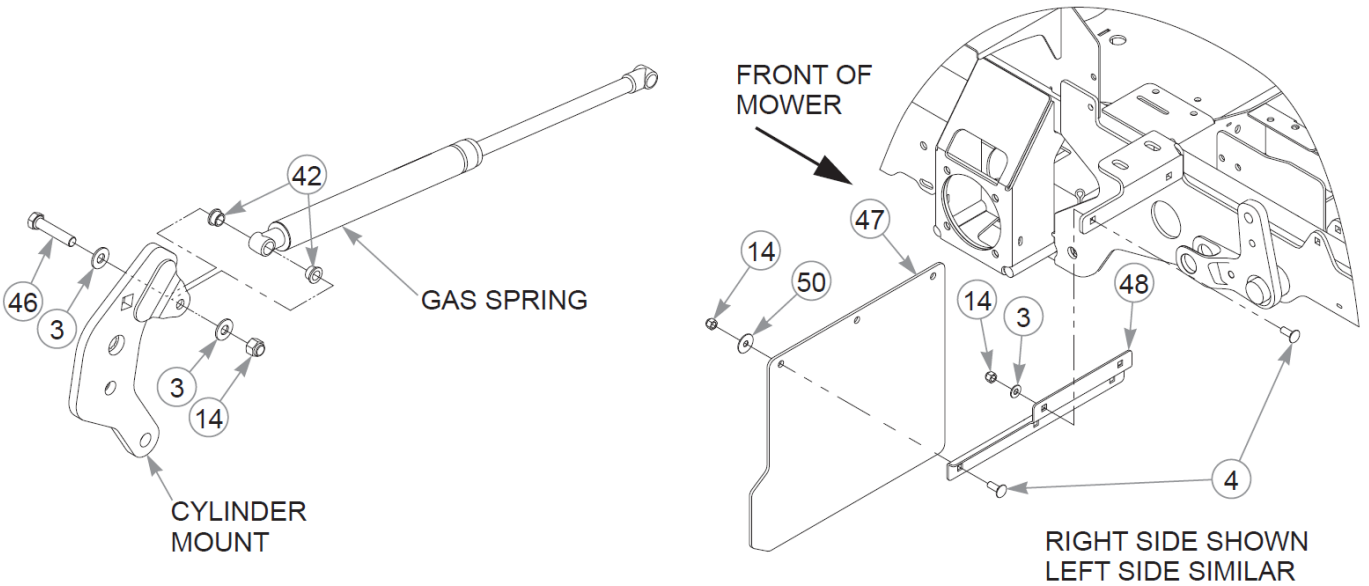
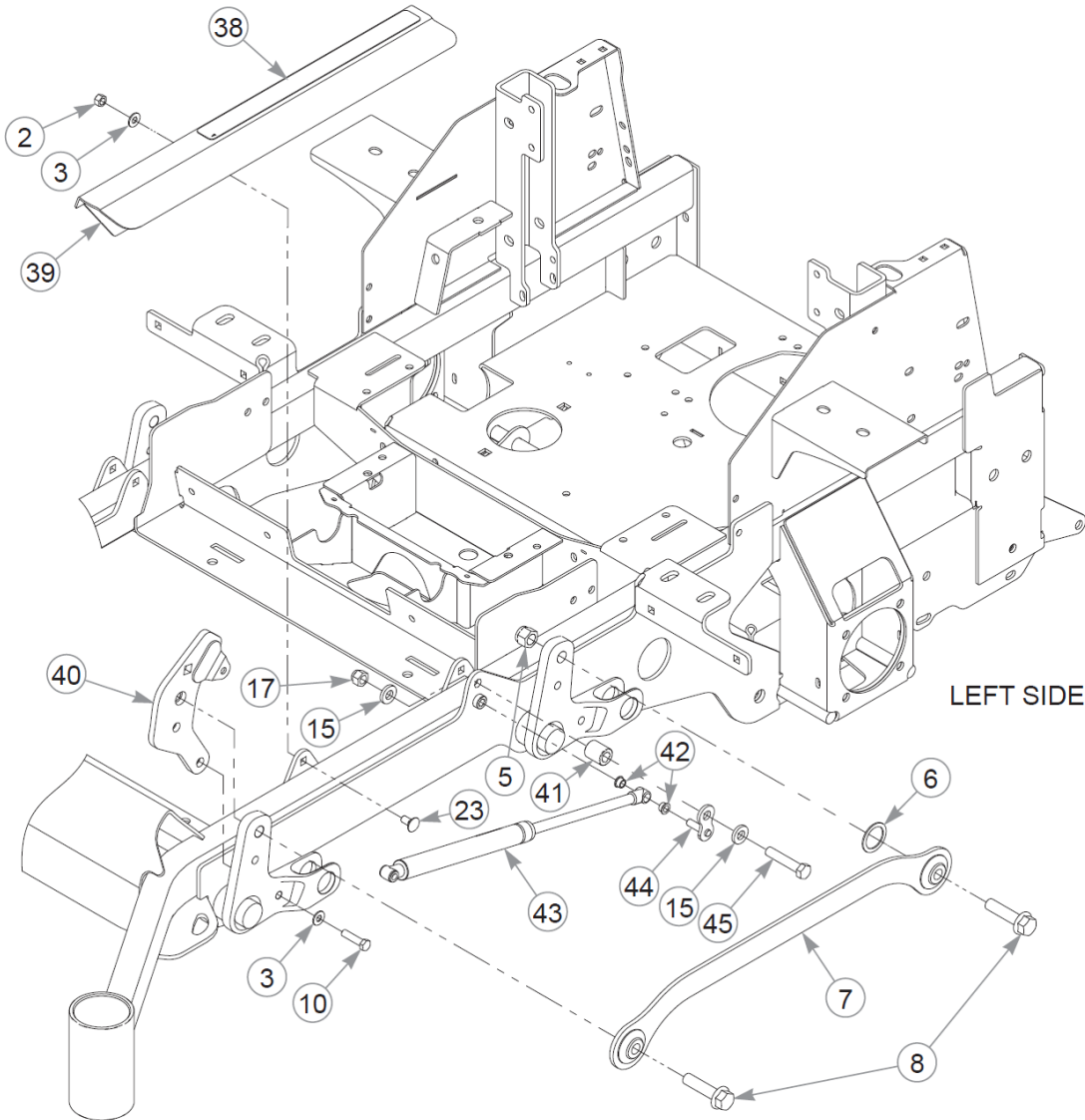
C: 15 cm



Deck Lift & Mounting Hardware (Multi-Page)

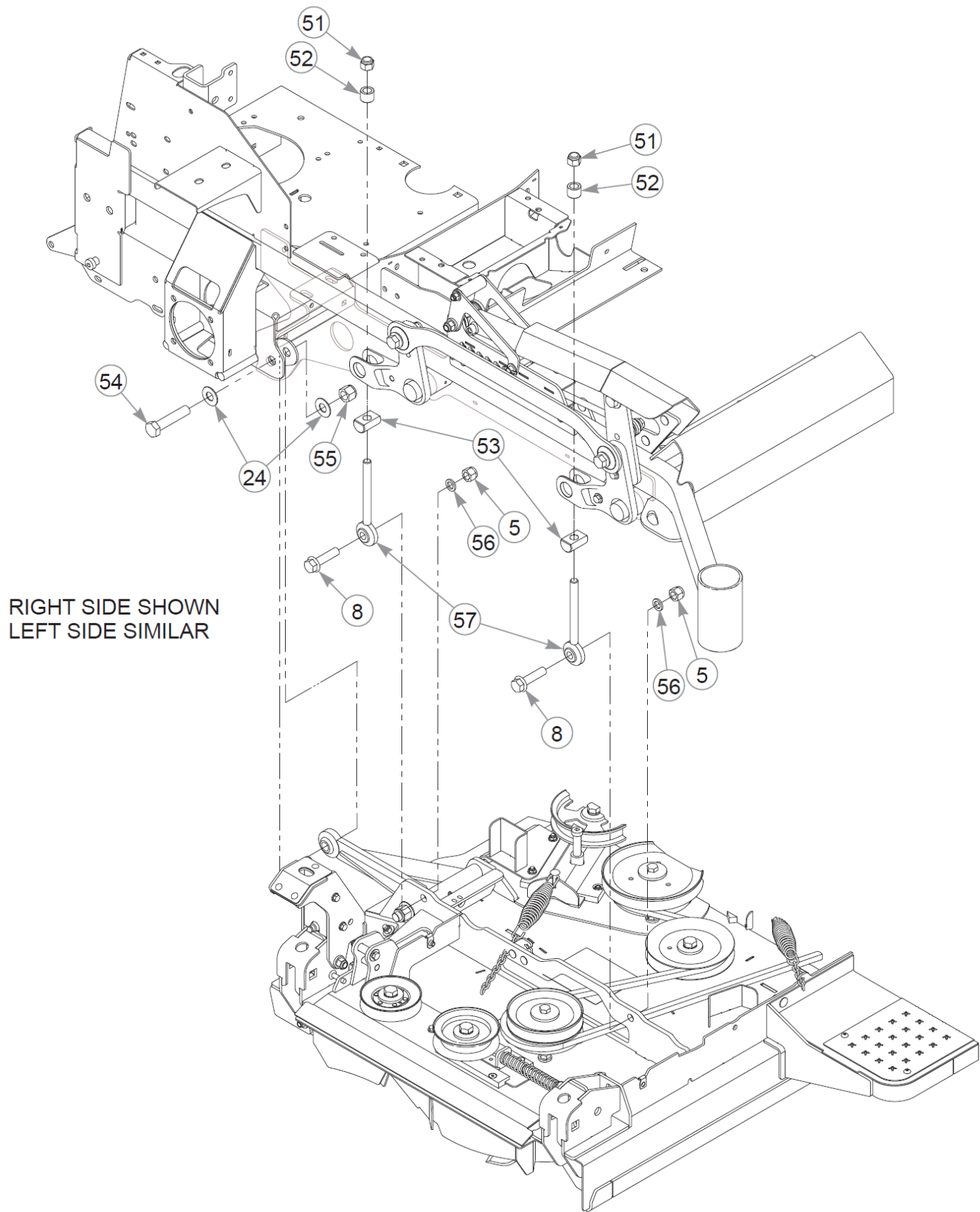
Super 104 Parts Manual - 939652CE - HTSWR104KAWFX1000VC

| Item | Part No. | Qty | Name |
|------|----------|-----|--------------------------|
| 1 | 117320 | 1 | W/A, CUT HT. INDICATOR |
| 2 | 054502 | 9 | NT .375-16HXG5 |
| 3 | 767954 | 20 | FW 0.379X.82X.06 HD ZN |
| 4 | 025395 | 14 | CB .375-16X 1.00 G5 ZN |
| 5 | 058768 | 6 | NT .625-11 HXZN NY |
| 6 | 117188 | 2 | LINK SPACER |
| 7 | 116730 | 2 | W/A, DECK LINK |
| 8 | 604043 | 8 | CS .625-11x2.500FLGG5 |
| 9 | 116784 | 1 | BRACKET W/A, DECK LIFT |
| 10 | 080655 | 4 | CS .375-16X1.500HXG5 |
| 11 | 117489 | 1 | SPACER, LATCH |
| 12 | 117488 | 2 | ARM, LATCH |
| 13 | 041848 | 1 | CB .375-16X 3.500 FUL Z |
| 14 | 086660 | 12 | NT .375-16NLG8 |
| 15 | 767962 | 5 | FW .531 x 1.063 x .175 |
| 16 | 089938 | 1 | CS .500-13X4.000HXG5 |
| 17 | 781567 | 2 | NT .500-13NLG5 |
| 18 | 017251 | 2 | CP .156DX1.000 LG HML Z |
| 19 | 025965 | 1 | CE .500X3.50 .156X3.34 |
| 20 | 718288 | 2 | FW .516X.88X.09 ZN |
| 21 | 604076 | 1 | PIN, DECK HEIGHT STOP |
| 22 | 551809 | 1 | GUARD, RH FRAME |
| 23 | 011320 | 5 | CB .375-16X .750 STD ZN |
| 24 | 025296 | 6 | FW .760X1.63X0.08 ZN |
| 25 | 770867 | 2 | BUSHING, PLAS .750x1(FS) |
| 26 | 604075 | 1 | SPACER, CYLINDER |
| 27 | 604073 | 1 | CYLINDER, SINGLE ROD |
| 28 | 068056 | 1 | CE .500X1.50 .150X1.32 |
| 29 | 604069 | 1 | SLIDER, DECK LIFT |
| 30 | 008417 | 2 | NT .750-10HXG5 |
| 31 | 602897 | 1 | BLOCK, DECK LIFT |
| 32 | 074252 | 1 | CS .500-13X1.50 HX G5 ZN |
| 33 | 604072 | 1 | ROD END ASSEMBLY |
| 34 | 712976 | 1 | FW 0.531X1.38X.12 ZN |
| 35 | 704783 | 1 | FW 0.625X1.500X0.105 |
| 36 | 781872 | 1 | CS .625-11X1.250HXG5 |



Deck Lift & Mounting Hardware (Multi-Page)

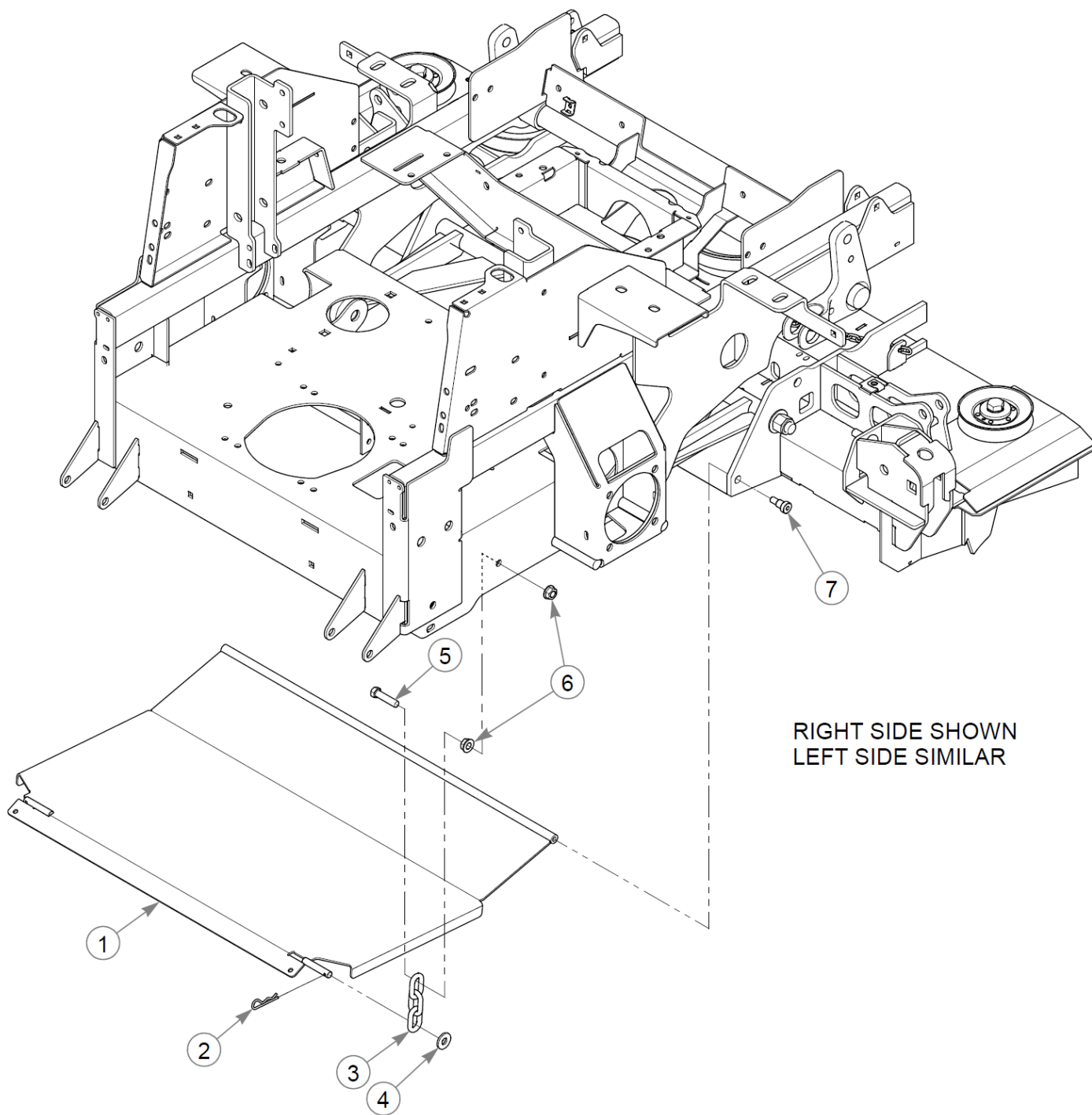
| Item | Part No. | Qty | Name |
|------|----------|-----|--------------------------|
| 37 | 607690 | 1 | DECAL, CUT HEIGHT |
| 38 | 601993 | 1 | DECAL, SAFE OPERATION |
| 39 | 551808 | 1 | GUARD, LH FRAME |
| 40 | 117318 | 1 | W/A, CYLINDER MOUNT |
| 41 | 116206 | 1 | BRACKET SPACER |
| 42 | 765339 | 4 | BUSHING,IGUS#0608 (FS) |
| 43 | 604037 | 1 | GAS SPRING, DECK LIFT |
| 44 | 116203 | 1 | CYLINDER BRACKET W/A |
| 45 | 008573 | 1 | CS .500-13X2.500HXG5 |
| 46 | 705178 | 1 | CS .375-16X1.750HXG5 |
| 47 | 604266 | 2 | FLAP, WHEEL |
| 48 | 124386-1 | 1 | ANGLE, FLAP MOUNT RH |
| 49 | 124388-1 | 1 | ANGLE, FLAP MOUNT LH |
| 50 | 705137 | 6 | FW 0.391X1.25X.06 ZN |
| 51 | 604232 | 4 | NT .625-18NLKG5 |
| 52 | 603903 | 4 | DECK LEVEL SPACER |
| 53 | 603902 | 4 | DECK LEVEL PIVOT |
| 54 | 789115 | 2 | CS .750-10X3.500HXG5 |
| 55 | 061101 | 2 | NT .750-10 HX ZN NL GR B |
| 56 | 028118 | 4 | FW 0.625X1.00X.13 ZN |
| 57 | 116732 | 4 | W/A, DECK LEVEL ROD END |



Deck Lift & Mounting Hardware (Multi-Page)

Comments for Page: Deck Lift & Mounting Hardware (Multi-Page)

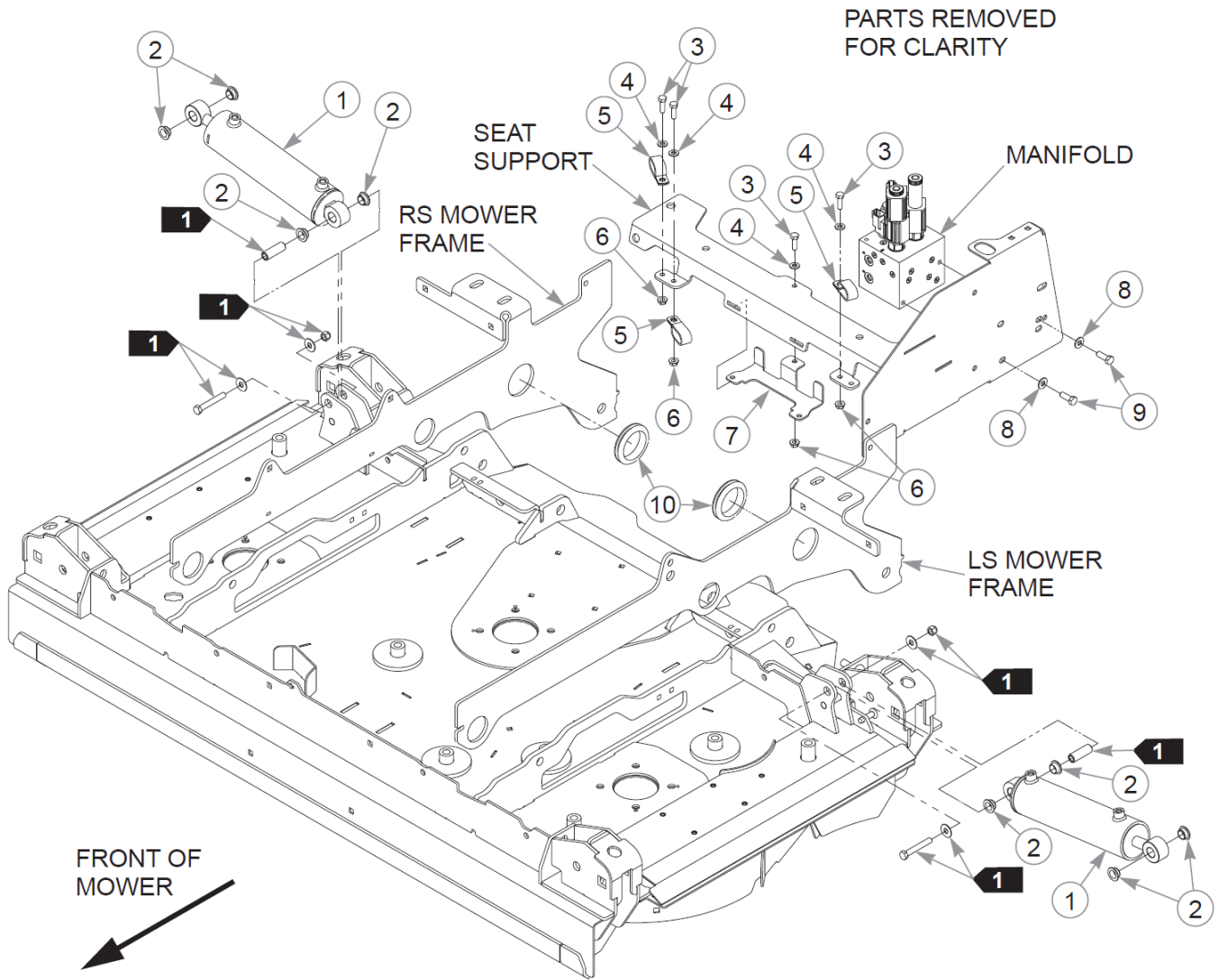
1. The LS and RS frame guards include the decals.



RIGHT SIDE SHOWN
LEFT SIDE SIMILAR

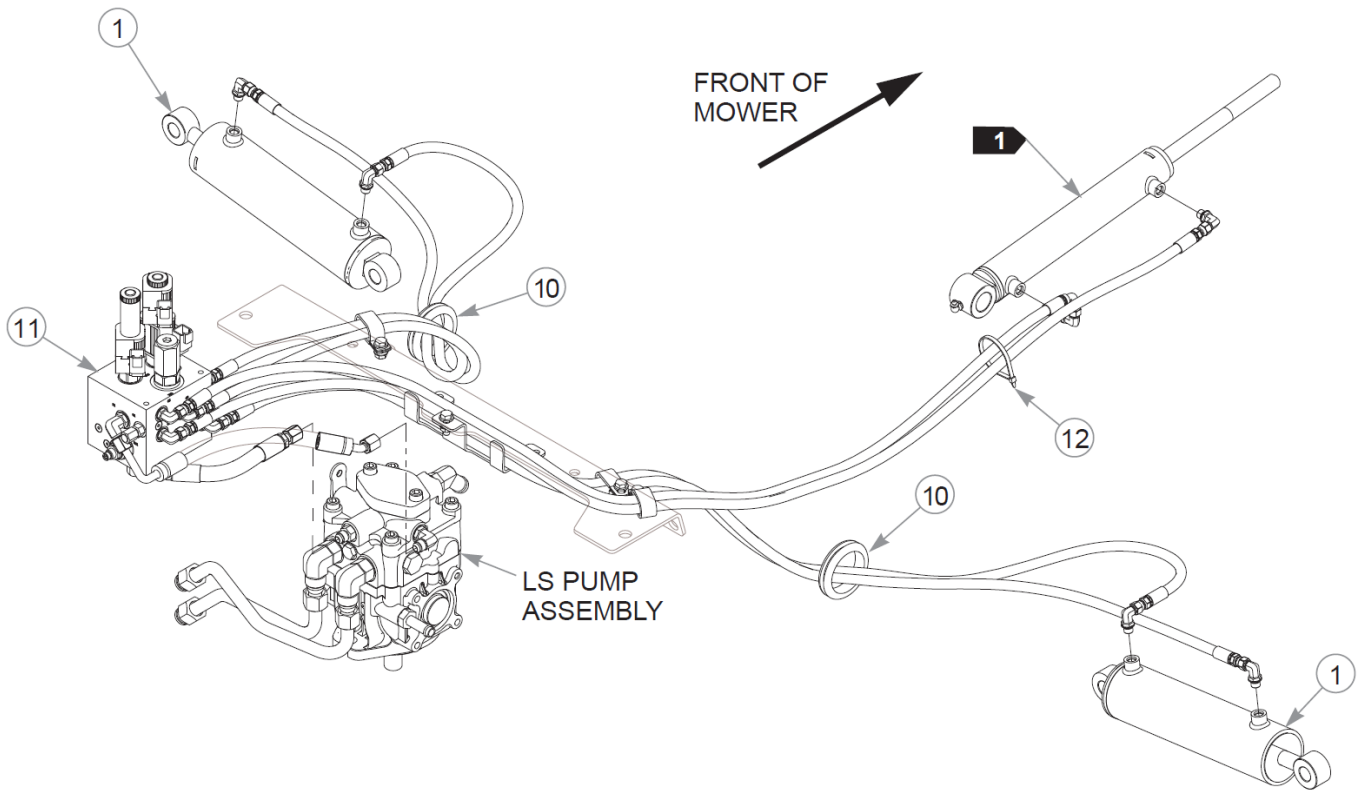
Dust Shield

| Item | Part No. | Qty | Name |
|------|----------|-----|-------------------------|
| 1 | 126059-1 | 1 | BELLY PAN PNT |
| 2 | 017301 | 2 | HP .125 X2.375 ZN |
| 3 | 360131 | 2 | CHAIN, DECK LIFT |
| 4 | 602680 | 2 | FW .453X1.12X.12 HRD ZN |
| 5 | 055749 | 2 | CS .437-14X1.750HXG5 |
| 6 | 704643 | 4 | NT .437-14FLKG5 |
| 7 | 060541 | 2 | SB0.500X0.625SH0.375-16 |



Wing Lift System (Multi-Page)

| Item | Part No. | Qty | Name |
|------|----------|-----|-------------------------------------|
| 1 | 607680 | 2 | CYLINDER - HYDRAULIC |
| 2 | 602539 | 8 | BUSHING, .625 I.D. |
| 3 | 036236 | 4 | CS .312-18X1.000HXG5 |
| 4 | 768523 | 4 | FW 0.343SAE |
| 5 | 607674 | 3 | CLAMP - P, DOUBLE |
| 6 | 016832 | 4 | NT .312-18FLKG5 |
| 7 | 125851-1 | 1 | SUPPORT - HOSES |
| 8 | 767954 | 2 | FW 0.379X.82X.06 HD ZN |
| 9 | 036244 | 2 | CS .375-16X1.00 HX G5 ZN |
| 10 | 603289 | 2 | GM, 2.25IDX 3.00DX 2.5GD |
| 11 | N/A | 1 | REFER TO "MANIFOLD BLOCK BREAKDOWN" |
| 12 | 000331 | 1 | WIRE TIE, SMALL/SHORT |

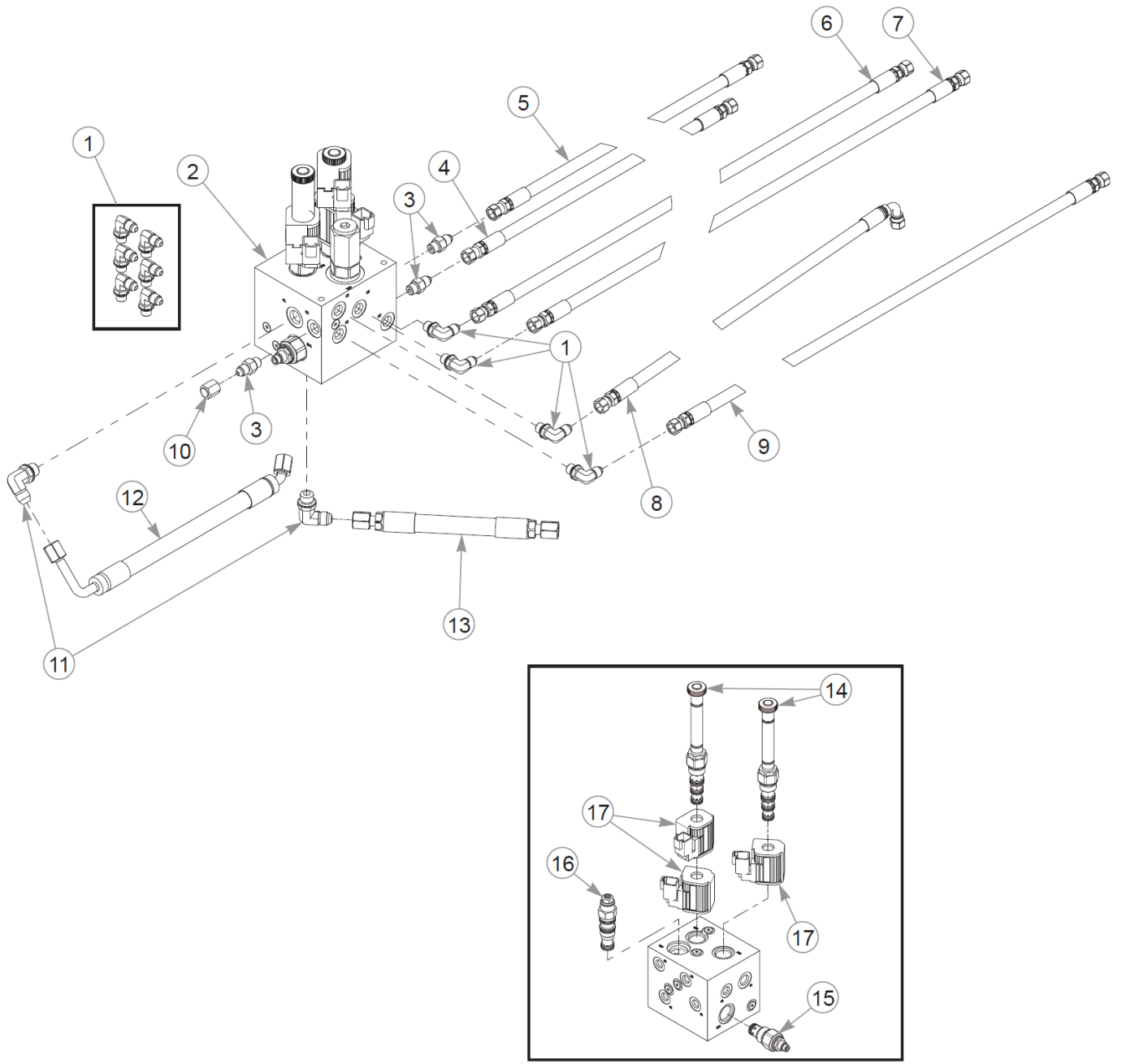


Wing Lift System (Multi-Page)

Super 104 Parts Manual - 939652CE - HTSWSR104KAWFX1000VC

Comments for Page: Wing Lift System (Multi-Page)

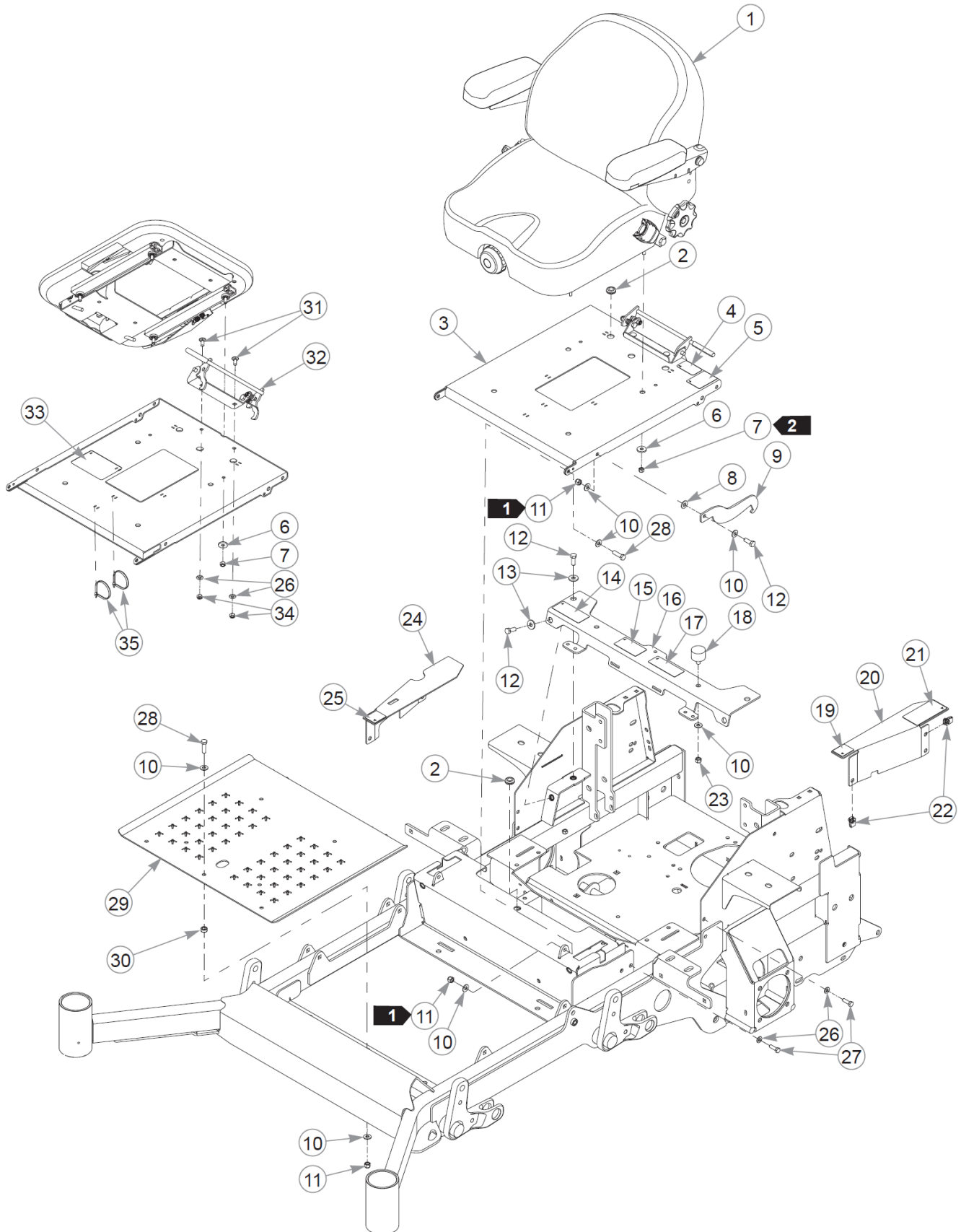
1. Part of the Deck Assembly.



Manifold Block Breakdown

Super 104 Parts Manual - 939652CE - HTSWSR104KAWFX1000VC

| Item | Part No. | Qty | Name |
|------|----------|-----|--------------------------|
| 1 | 604133 | 10 | FTG, 4MORB / 4MJIC 90 |
| 2 | 607570 | 1 | MANIFOLD ASM |
| 3 | 603181 | 3 | FTG, -4MORB/4MJIC STR |
| 4 | 607576 | 1 | HOSE ASM - HYDRAULIC |
| 5 | 607577 | 1 | HOSE ASM - HYDRAULIC |
| 6 | 607578 | 1 | HOSE ASM - HYDRAULIC |
| 7 | 607579 | 1 | HOSE ASM - HYDRAULIC |
| 8 | 607574 | 1 | HOSE ASM - HYDRAULIC |
| 9 | 607575 | 1 | HOSE ASM - HYDRAULIC |
| 10 | 602479 | 1 | FTG, 4FJIC CAP |
| 11 | 795922 | 2 | FTG, 90-6MORB/-6MJI |
| 12 | 607572 | 1 | HOSE ASM - HYDRAULIC |
| 13 | 607573 | 1 | HOSE ASM - HYDRAULIC |
| 14 | 602458 | 2 | VALVE, REEL DRIVE |
| 15 | 602456 | 1 | RELIEF VALVE CARTRIDGE |
| 16 | 605117 | 1 | VALVE, COUNTER BALANCE |
| 17 | 602454 | 3 | VALVE, SOLENOID CARTRIDG |



Seat & Floor Pan

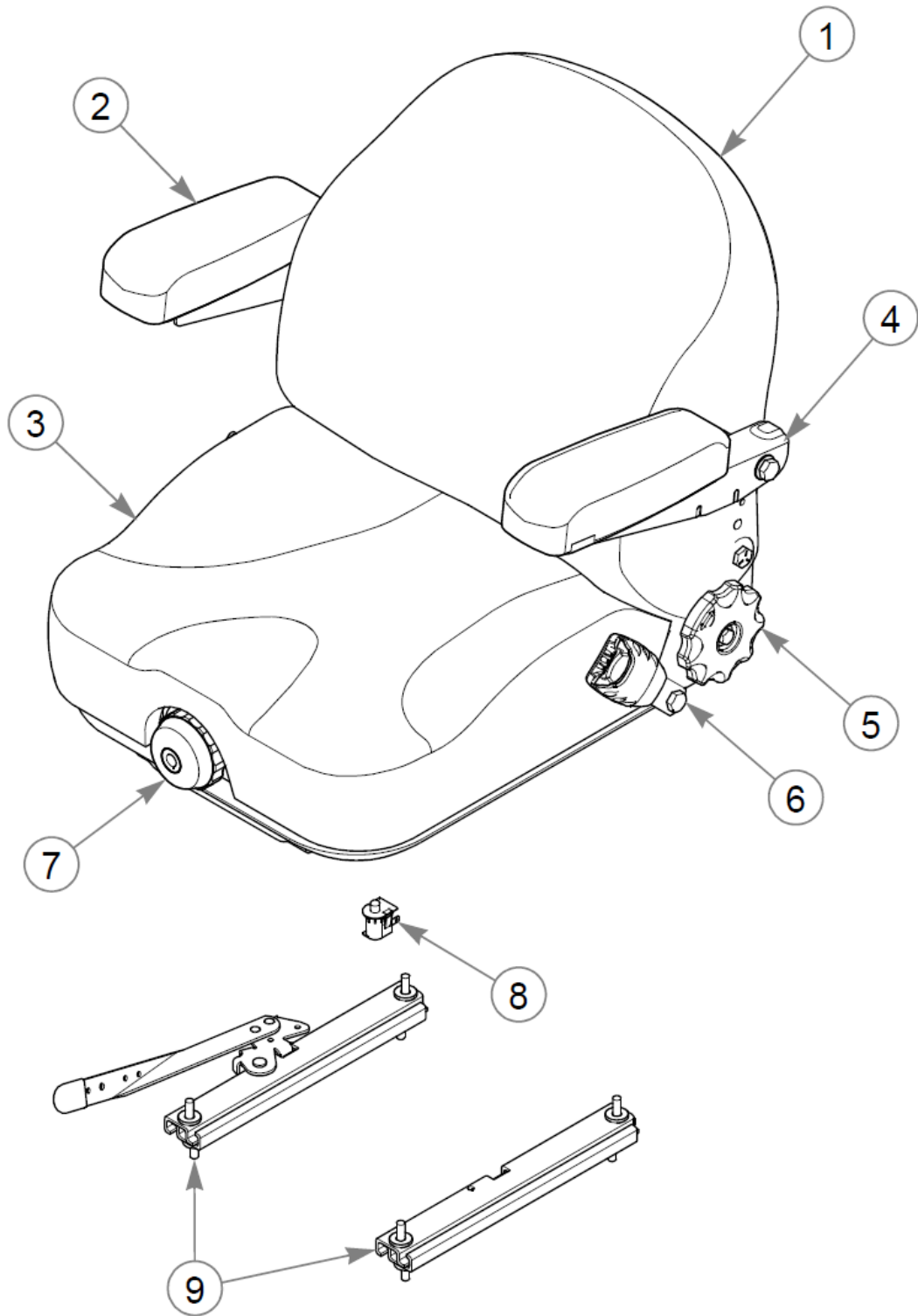
| Item | Part No. | Qty | Name |
|------|----------|-----|--------------------------|
| 1 | 607710 | 1 | SEAT, I3M SEATS INC |
| 2 | 080358 | 2 | GM .50X1.00X.75X.12 |
| 3 | 550815 | 1 | SEAT PAN, SERVICE |
| 4 | 605688 | 1 | DECAL, LEVEL FUEL FILL |
| 5 | 785188 | 1 | DECAL, Z ARMREST WARNING |
| 6 | 712927 | 4 | FW 0.344X1.00X.12 HD ZN |
| 7 | 058776 | 4 | NT .312-18NLG5 |
| 8 | 724716 | 2 | WASHER, FIBER (FS) |
| 9 | 350421 | 2 | SEAT PAN STOP (PLATED) |
| 10 | 767954 | 12 | FW 0.379X.82X.06 HD ZN |
| 11 | 086660 | 5 | NT .375-16NLG8 |
| 12 | 036244 | 6 | CS .375-16X1.00 HX G5 ZN |
| 13 | 712919 | 4 | FW 0.406X1.00X.12 HD ZN |
| 14 | 601967 | 1 | DECAL, ENGINE COMPART |
| 15 | 601968 | 1 | DECAL, HYDRAULIC PRESS |
| 16 | 555243 | 1 | SVC, SEAT SUPPORT |
| 17 | 601058 | 1 | DECAL, HOT/SYN HYDRO OIL |
| 18 | 601650 | 2 | VIBRATION MOUNT 70DURO |
| 19 | 785139 | 1 | DECAL, STEERING L.S. |
| 20 | 550823 | 1 | FRAME COVER LS, SERVICE |
| 21 | 600899 | 1 | DECAL, PUMP BELT WARNING |
| 22 | 601069 | 5 | CN .312-18x.200 MAX THK |
| 23 | 054502 | 2 | NT .375-16HXG5 |
| 24 | 551827 | 1 | RS FRAME COVER, SERVICE |
| 25 | 785220 | 1 | DECAL, STEERING R.S. |
| 26 | 768523 | 7 | FW 0.343SAE |
| 27 | 036236 | 5 | CS .312-18X1.000HXG5 |
| 28 | 052860 | 3 | CS .375-16X1.25 HX G5 ZN |
| 29 | 124956-1 | 1 | FLOOR PAN |
| 30 | 118900 | 1 | SPACER, DECK LIFT LINK |
| 31 | 016253 | 2 | CB .312-18X .750 FUL ZN |
| 32 | 605907 | 1 | LATCH ASSEMBLY |
| 33 | 601815 | 1 | DECAL, BATTERY WARNINGS |
| 34 | 034272 | 2 | NT .312-18HXG5 |
| 35 | 000331 | 2 | WIRE TIE, SMALL/SHORT |

Seat & Floor Pan

Comments for Page: Seat & Floor Pan

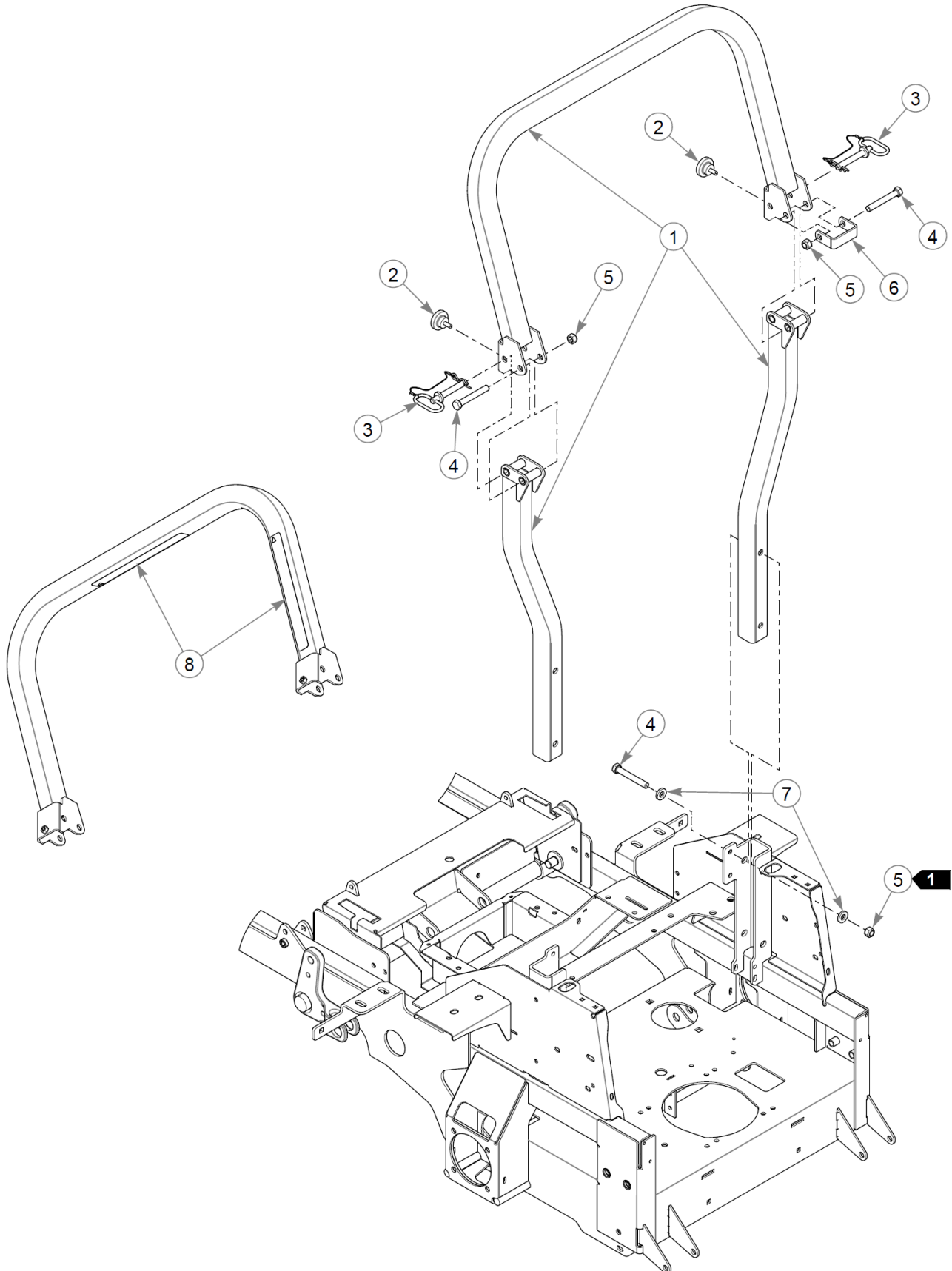
1. Do not torque; the seat pan and seat pan stop must pivot freely.
2. The seat pan, seat support, and LS & RS frame covers include the decals.

This page intentionally left blank



Seat Service Parts - 607710

| Item | Part No. | Qty | Name |
|-----------|----------|-----|-------------------------|
| Not Shown | 607710 | 1 | SEAT, I3M SEATS INC |
| 1 | 607707 | 1 | SVC, SEAT BACK COVER |
| 2 | 607715 | 1 | SVC, ARM REST PAD KIT |
| 3 | 607708 | 1 | SVC, SEAT CUSHION COVER |
| 4 | 607711 | 1 | SVC, ARM REST KIT |
| 5 | 607709 | 1 | SVC, RECLINER KNOB |
| 6 | 607207 | 1 | SVC, SEAT BELT |
| 7 | 607206 | 1 | SVC, KNOB KIT |
| 8 | 606082 | 1 | SVC, OPS |
| 9 | 607204 | 1 | SVC, TRACK KIT |



ROPS

| Item | Part No. | Qty | Name |
|------|----------|-----|--------------------------|
| 1 | 603338 | 1 | KIT, ROPS SZ |
| 2 | 601470 | 2 | KNOB, HAND FOR ROPS |
| 3 | 601471 | 2 | LYNCH PIN W/ LANYARD |
| 4 | 061812 | 6 | CS .500-13X3.50 HX G5 ZN |
| 5 | 023317 | 6 | NT .500-13UNTG8 |
| 6 | 603099 | 1 | ROPS STOP, XONE |
| 7 | 767962 | 8 | FW .531 x 1.063 x .175 |
| 8 | 601635 | 2 | DECAL, ROP'S |

Comments for Page: ROPS

1. Torque to 99 N•m.
2. The ROPS kit includes decals, seatbelt and hardware.